

# Blue Brute Bearings - Locking configurations

## Self-Aligning Spherical Roller Bearings

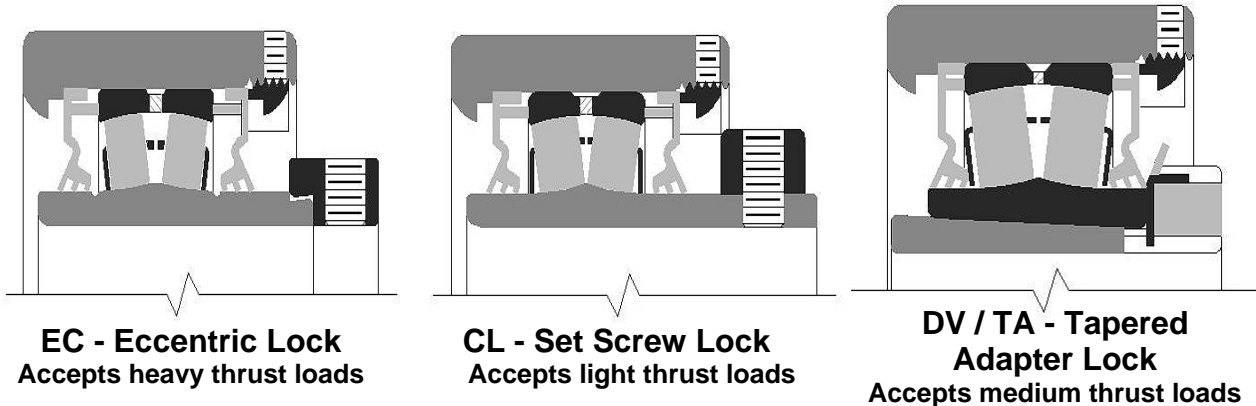
Eccentric lock shown



Blue Brute roller bearings represent decades of bearing technology and utilize world leading design for heavy-duty applications. Due to the number and size of the two rows of symmetrical barrel shaped rollers combined with precision guiding they have extreme load and speed capacity.

The double row spherical bearings used in Blue Brute bearings feature extra large spherical rollers. Bearings from size 08 to 20 (1-7/16" to 4") have steel window cages. Bearings size 22 and over have machined brass cages.

These bearings work at full capacity regardless of limited shaft and housing misalignment. Blue Brute Bearings allow misalignment in any direction up to 2 degrees from center. Our rollers align freely between the spherical outer and inner ring and contact at an angle allowing heavy radial and thrust loads in either direction. Crowned roller ends result in unaffected performance under dynamic, static, or oscillatory conditions with heavy loads in a combination of planes.



**EC - Eccentric Lock**  
Accepts heavy thrust loads

**CL - Set Screw Lock**  
Accepts light thrust loads

**DV / TA - Tapered Adapter Lock**  
Accepts medium thrust loads

<p><b>EC Series -</b> Eccentric Locking Collar</p> <p>Unsurpassed holding in heavy thrust, reversing or shock loading.</p> <p>We <b>guarantee</b> this bearing will not come loose if installed on a precision ground shaft (see page 60)</p>	<p><b>CL Series -</b> Concentric Locking Collar (set screw lock)</p> <p>Set screw locking 2 set screws @ 60°, provides maximum holding with minimal run out. Knurled point set screws provide positive locking.</p>	<p><b>DV Series -</b> Tapered Adapter Sleeve</p> <p>DV Bearings are a drop in replacement for common American Set-screw mounted units, results in extremely high load capacities compared to any collar mounted unit. Best concentricity for high speeds.</p>	<p><b>TA Series -</b> Tapered Adapter Sleeve</p> <p>TA Bearings are a direct drop in replacement for SAF/SN split cap housing dimensions results in superior sealing and integrally robust housing. Best concentricity for high speeds.</p>
---	---	---	---

# Blue Brute- Bearing Seals

## Sealing arrangements

Blue Brute bearings are offered with a large number of primary and secondary sealing options. We assemble our bearings to order and different combinations of seals can be shipped easily from stock.

### Primary Seals

These seals are installed between the inner ring of the bearing and the housing. They are held securely in place by our assembly nut. Primary seals can be contacting or non-contacting, purging or non-purging and are available in several material compounds for different applications.



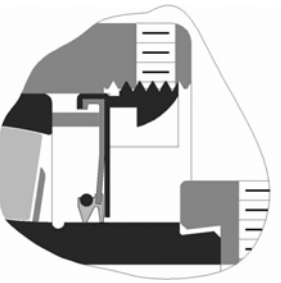
#### **Standard Seal - 'M'** Contacting, self purging

This seal is a triple lip seal, medium contact. The 'M' seal offers superior sealing in moist and dirty applications. Our 'M' seals provide excellent lubrication retention, but will allow excess grease to purge from the bearing cavity. The "M" seal is made from **nitrile** rubber and has excellent chemical resistance. This seal is also completely coated with rubber for corrosion resistance.



#### **Triple Lip Seal - 'N'** - Contacting, self purging

This seal is a triple lip seal, medium contact. The 'N' seal is made with Viton\* has excellent chemical and abrasion resistance and operates at higher temperatures than nitrile rubber. The seal is similar to our 'M' seal.



#### **Double Lip Seal - 'B'** Contacting, non-purging

This seal incorporates a double lip seal of **nitrile** rubber with a garter spring for maximum contact. It is complete with a heavy duty steel shield that protects the seal from larger pieces of debris that might damage the rubber seal. This seal works well in applications with oil lubrication and is designed for extreme moisture, fine dust or extremely dirty applications.



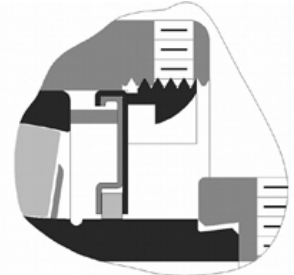
#### **Double Lip Seal - 'C'** Contacting, non-purging

This seal is the same as the 'B' seal except it is manufactured with (Viton\*) seal material. Viton\* has excellent chemical and abrasion resistance and operates at higher temperatures than our standard nitrile rubber seal.

\*Viton is a registered trade mark of Dupont

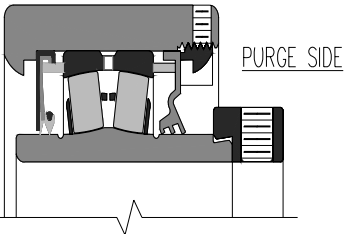
# Blue Brute- Bearing Seals

## Primary Seals - continued



**Teflon Seal - 'T'** non-contacting, non-purging

The Teflon floating seal consists of a Teflon ring pressed onto the inner ring of the bearing. This Teflon ring floats between two pieces of formed steel. This seal was developed for high speed applications involving dirty conditions or moisture effected areas. Teflon sustains high temperatures and is impervious to almost all chemicals.

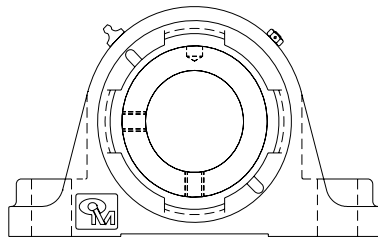


**Combination seals**

Blue Brute Bearings can be ordered with a combination of different seals within the same bearing. Often a purging seal will be combined with a non-purging seal on the heavily contaminated side. To order the combination seal just add the second seal letter to the bearing part number.

For example: QMP13J207SMB will be shipped with the 'M' seal on the collar side, B seal on the opposite side.

### The Purging Relief Valve 'R'



Purging relief valves, which can be ordered installed on all housing styles. This valve works with 'T', 'B' and 'C' seal installations. The purging relief valve opens at a pre-determined pressure, exhausts and expels lubrication from the bearing cavity where excessive lubricant pressure is not desirable.



(actual size)

Pressure Relief

## Secondary Seals

In many circumstances bearings fail due to premature seal failure. This is usually the result of a tough operating environment or over lubrication. QM Bearings has developed secondary sealing covers that offer an extra sealing barrier and protection to the primary seal. These economical covers are easily outfitted on any Blue Brute bearing unit. They are ordered as separate parts and are not shown in the bearing part number.

### Closed End covers

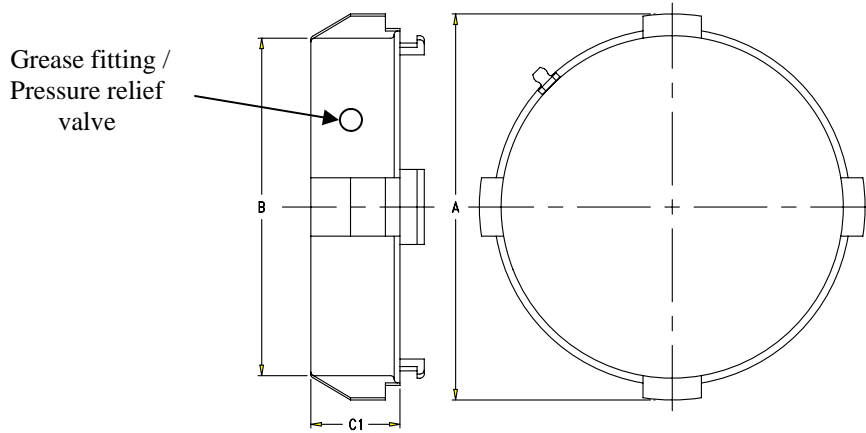


### Open End covers



# Blue Brute CS - Closed End Cover

These snap on covers are designed to be virtually indestructible and extremely convenient. They are made from structural Urethane and install easily. The cover completely seals the bearing preventing contamination from reaching the primary seal. Every cover is outfitted with a grease fitting to fill the cover cavity for an extra barrier against contamination.



CS Urethane Cover series dimensions			
Cover Part #	A	B	C1
CS08	3.82	3.02	1.25
CS09	4.01	3.21	1.25
CS10	4.21	3.41	1.25
CS11	4.61	3.81	1.25
CS13	5.20	4.57	1.08
CS15	5.09	4.84	1.30
CS17	6.32	5.87	1.22
CS18	6.62	5.87	1.53
CS20	7.56	6.88	1.75
CS22	8.35	7.67	2.07
CS26	9.50	8.81	2.34
CS30	10.69	10.00	2.24

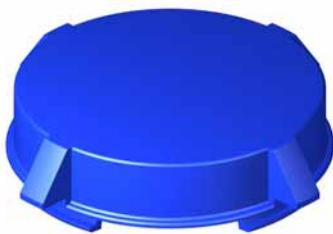
To order a closed end cover, simply pick the size from the bearing size in the part number :

**QMP18J307S**

**Bearing size**

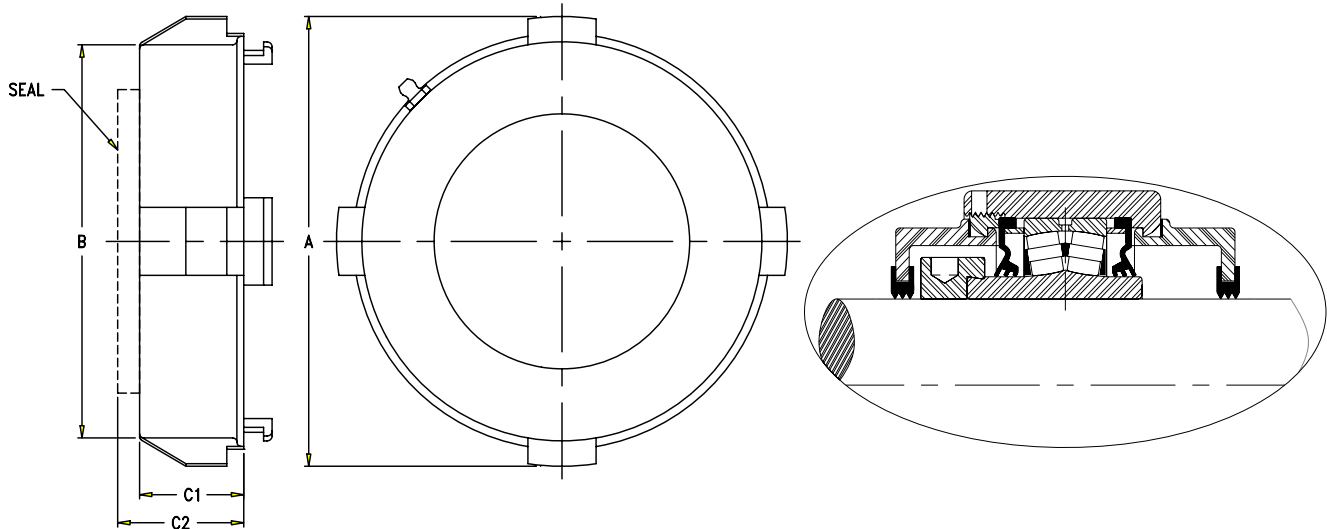
**Closed end part # 'CS'**

**For a closed end cover for the bearing listed above CS18**



# Blue Brute DR - Open End Covers / Seals

This snap on cover is made from an almost indestructible urethane for repeated use. Our standard triple lip seal made from nitrile rubber or optional Viton\* seal attaches to the open end cover. This triple lip seal can move within the opening to accommodate misalignment while maintaining full contact to the shaft for positive sealing. A grease fitting is installed on the cover so the cover cavity can be filled with grease for extra protection against contamination. The DR seal can be purchased separately. We offer a special order 'QMPPD" triple lip urethane compound seal formulated by QM to handle extreme abrasion resistance requirements. These are special order basis only.



EC & CL Series CJDR— C/W DR SEAL DIMENSIONS				
Cover Part #	A	B	C1	C2
CJDR107	3.82	3.02	1.25	1.35
CJDR111	4.01	3.21	1.25	1.35
CJDR115	4.21	3.21	1.25	1.35
CJDR203	4.61	3.81	1.25	1.35
CJDR207	5.20	4.57	1.08	1.18
CJDR215	5.09	4.84	1.30	1.40
CJDR307	6.62	5.87	1.53	1.63
CJDR315	7.56	6.88	1.75	1.85
CJDR407	8.35	7.67	2.07	2.17
CJDR415	9.50	8.81	2.24	2.34
CJDR507	10.69	10.00	2.24	2.34

TA Series CKDR— C/W DR SEAL DIMENSIONS				
Cover Part #	A	B	C1	C2
CKDR115	4.61	3.81	1.25	1.35
CKDR206	5.20	4.57	1.08	1.18
CKDR202	5.09	4.84	1.30	1.40
CKDR215	6.62	5.87	1.53	1.63
CKDR302	7.56	6.88	1.75	1.85
CKDR315	8.35	7.67	2.07	2.17
CKDR26402	9.50	8.81	2.24	2.34

For a complete listing of available shaft sizes, see page 10.

To order an open end cover with 'DR' seal, you require the bearing size and shaft diameter:

**QMP18J307S**

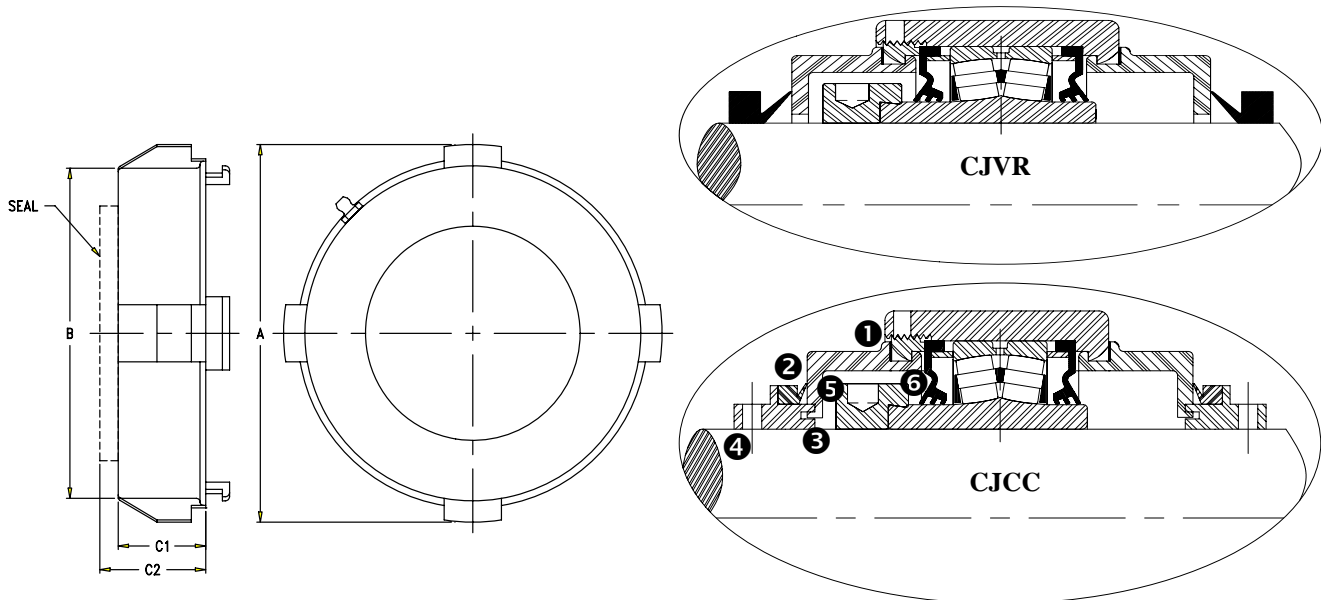
↑  
**Shaft Size**

To order an open end cover with a 'DR' seal for the bearing listed above **CJDR307**

\* Viton is a registered trade mark for Dupont

# Blue Brute VR / CC - Open End Covers / Seals

This snap on cover is made from an almost indestructible urethane material for repeated use. This cover is supplied with either a nitrile rubber V-Ring to seal against the cover or a CC sealing collar for the complete elimination of entry points. A grease fitting is provided to fill the cavity with grease for an added barrier.



EC & CL Series CJVR— C/W VR SEAL DIMENSIONS				
Cover PART #	A	B	C1	C2
CJVR08	3.82	3.02	1.25	1.55
CJVR09	4.01	3.21	1.25	1.60
CJVR10	4.21	3.21	1.25	1.60
CJVR11	4.61	3.81	1.25	1.60
CJVR13	5.20	4.57	1.08	1.43
CJVR15	5.09	4.84	1.30	1.83
CJVR18	6.62	5.87	1.53	2.06
CJVR20	7.56	6.88	1.75	2.28
CJVR22	8.35	7.67	2.07	2.57
CJVR26	9.50	9.00	2.24	2.74
CJVR30	10.70	10.00	2.24	2.74

TA Series CKVR— C/W VR SEAL DIMENSIONS				
Cover PART #	A	B	C1	C2
CKVR11	4.61	3.81	1.25	1.55
CKVR13	5.20	4.57	1.08	1.38
CKVR15	5.09	4.84	1.30	1.60
CKVR17	6.62	5.87	1.53	1.91
CKVR20	7.56	6.88	1.75	2.13
CKVR22	8.35	7.67	2.07	2.45
CKVR26	9.50	9.00	2.24	2.69

EC & CL Series CJCC— C/W BE SEAL DIMENSIONS				
Cover PART #	A	B	C1	C2
CJCC115	4.21	3.21	1.25	2.29
CJCC203	4.61	3.81	1.25	2.29
CJCC207	5.2	4.57	1.08	2.12
CJCC215	5.09	4.84	1.3	2.59
CJCC307	6.62	5.87	1.53	2.88
CJCC315	7.56	6.88	1.75	3.23



## 6-Point Sealing System

We have added an additional upgrade to our secondary covers. The CC collar mounts to the shaft and mates into a labyrinth within the cover. The V-ring is held in place by the collar for extra security against contamination. You will not find a better seal on a mounted unit!

### 6-Point Seals

- ① Cover to housing
- ② V-ring to cover
- ③ Collar to cover labyrinth
- ④ Collar to shaft
- ⑤ Grease barrier inside cover
- ⑥ Primary seal

To order an open end cover with 'VR' seal. You only require bearing size, as the VR seal stretches to fit all shaft sizes in the bearing size range. CC collars need to be ordered per shaft size.

**QMP18J307S**

**Bearing size**

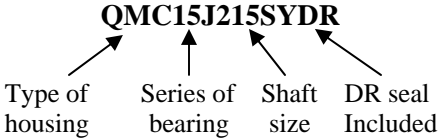
To order an open end cover with 'VR' seal for the bearing listed above CJVR18

For complete list of available shaft sizes see page 10

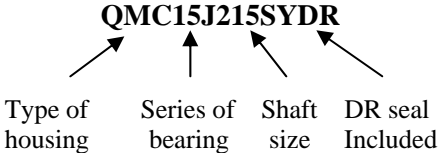
# Blue Brute - Flange Cartridge Urethane Back Seal

These piloted flange cartridge housings have been manufactured with a urethane back plate bonded to the back of the pilot. This type of seal provides extra sealing for the heavy contaminated areas. The back seal (Y) will accept either a 'DR' shaft seal or a CC sealing cover (shown below) depending on the application or customer requirements.

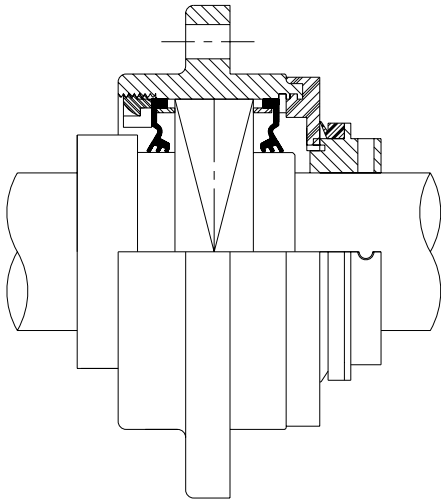
To order a 2-15/15" Flange Cartridge unit with the 'Y' Seal c/w DR seal see part number example below:



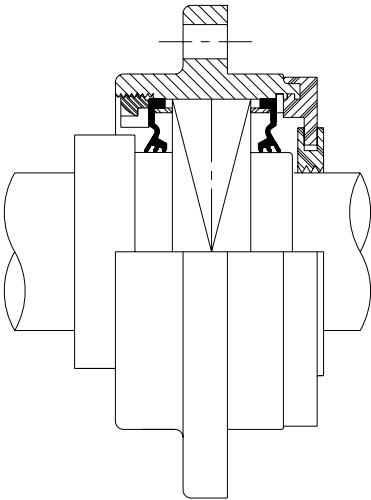
To order a 2-15/15" Flange Cartridge unit with the 'Y' Seal c/w CC collar see part number example below:



**QAC or QMC w/ Urethane Back Seal & CC Collar**

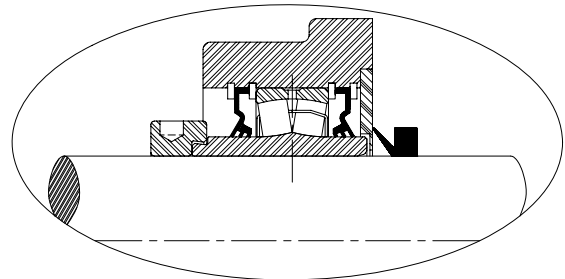
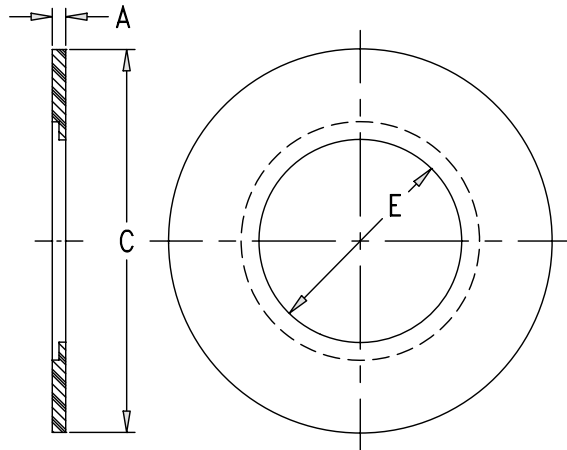


**QACW or QMCW w/ Urethane Back Seal**



# Blue Brute - UFP Secondary Shaft Seal for Flange Blocks

Due to the mounting nature of a flange block, a regular snap-in cover will not work on the back side. For this application, we provide an optional secondary sealing plate that fits flush with the back of the housing and creates a labyrinth over the inner ring. A V-ring can then be fitted over the shaft to provide another contamination barrier, **our CC collars can also be used with the UFP Plate.** The UFP Plate is available with all QM Bearings Flange blocks—square and round.

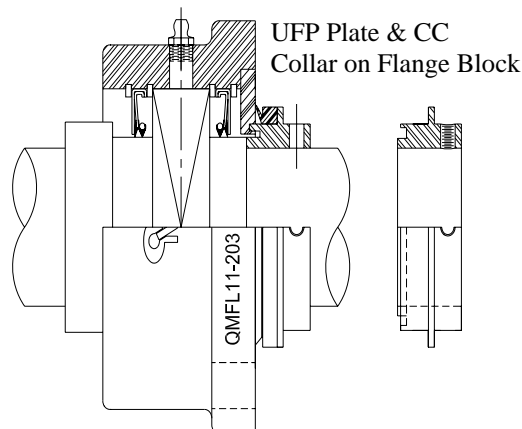


UFP seal series dimensions			
Seal Part #	Width A	O.D. C	I.D. E
UFP11	0.25	4.51	2.35
UFP13	0.20	5.75	2.55
UFP15	0.20	5.77	3.07
UFP18	0.20	7.38	3.56
UFP20	0.20	8.13	4.10
UFP22	0.20	8.50	5.13

# Blue Brute - Secondary Shaft Collar / Seal

Secondary shaft collar provides an additional sealing arrangement for flange cartridge and flange block style bearings. These collars are used in conjunction with custom UFP plates. These plates are specially designed to accept CC collars.

These seals will help prevent any contamination from entering the bearing from the ‘working’ area. They work well in high speed or heavy contamination areas. These collars are special order from the factory. Please specify bearing part number and CC sealing collar.





# Blue Brute - Open End Cover Ordering Guide

## DR Style Seals

These seals are easily fitted in the field. They are sold as separate parts. These open end covers are sized to fit the bearing size while the actual seals are sized to the shaft. One seal consists of a urethane open end cover plus DR nitrile style shaft seal, optional Viton\* DR seals are available.

## EC / CL Series

<u>Seal size</u>	<u>Shaft size</u>	<u>Seal size</u>	<u>Shaft size</u>
CJDR107	1-7/16"	CJDR303	3-3/16"
CJDR108	1-1/8"	CJDR304	3-1/4"
CJDR040	40mm	CJDR080	80mm
CJDR111	1-11/16"	CJDR307	3-7/16"
CJDR112	1-3/4"	CJDR308	3-1/2"
CJDR045mm	45mm	CJDR090mm	90mm
CJDR115	1-15/16"	CJDR315	3-15/16"
CJDR200	2"	CJDR400	4"
CJDR050mm	50mm	CJDR100mm	100mm
CJDR203	2-3/16"	CJDR407	4-7/16"
CJDR204	2-1/4"	CJDR408	4-1/2"
CJDR055	55mm	CJDR115mm	115mm
CJDR060	60mm	CJDR415	4-15/16"
CJDR207	2-7/16"	CJDR500	5"
CJDR208	2-1/2"	CJDR507	5-7/16"
CJDR065mm	65mm		
CJDR211	2-11/16"		
CJDR212	2-3/4"		
CJDR215	2-15/16"		
CJDR300	3"		
CJDR075mm	75mm		

## Tapered Adapter Series

<u>Seal size</u>	<u>Shaft size</u>
CKDR115	1-15/16"
CKDR200	2"
CKDR050mm	50mm
CKDR203	2-3/16"
CKDR204	2-1/4"
CKDR060mm	60mm
CKDR207	2-7/16"
CKDR208	2-1/2"
CKDR065mm	65mm
CKDR215	2-15/16"
CKDR300	3"
CKDR075mm	75mm
CKDR307	3-7/16"
CKDR308	3-1/2"
CKDR090mm	90mm
CKDR315	3-15/16"
CKDR400	4"
CKDR100mm	100mm
CKDR407	4-7/16"
CKDR408	4-1/2"
CKDR115mm	115mm

To order a Viton DR seal with the CJ cover, add the letter 'V' to the end of the seal size;

Example : CJDR207V ~ a 2-7/16" open end cover will be supplied with a Viton\* DR Seal.

## VR / CC Style Seals

These seals are easily fitted in the field. They are sold as separate parts. These open end covers are sized to fit the bearing size while the actual seals are sized to the shaft. One seal consists of a urethane open end cover plus VR / CC style shaft seal.

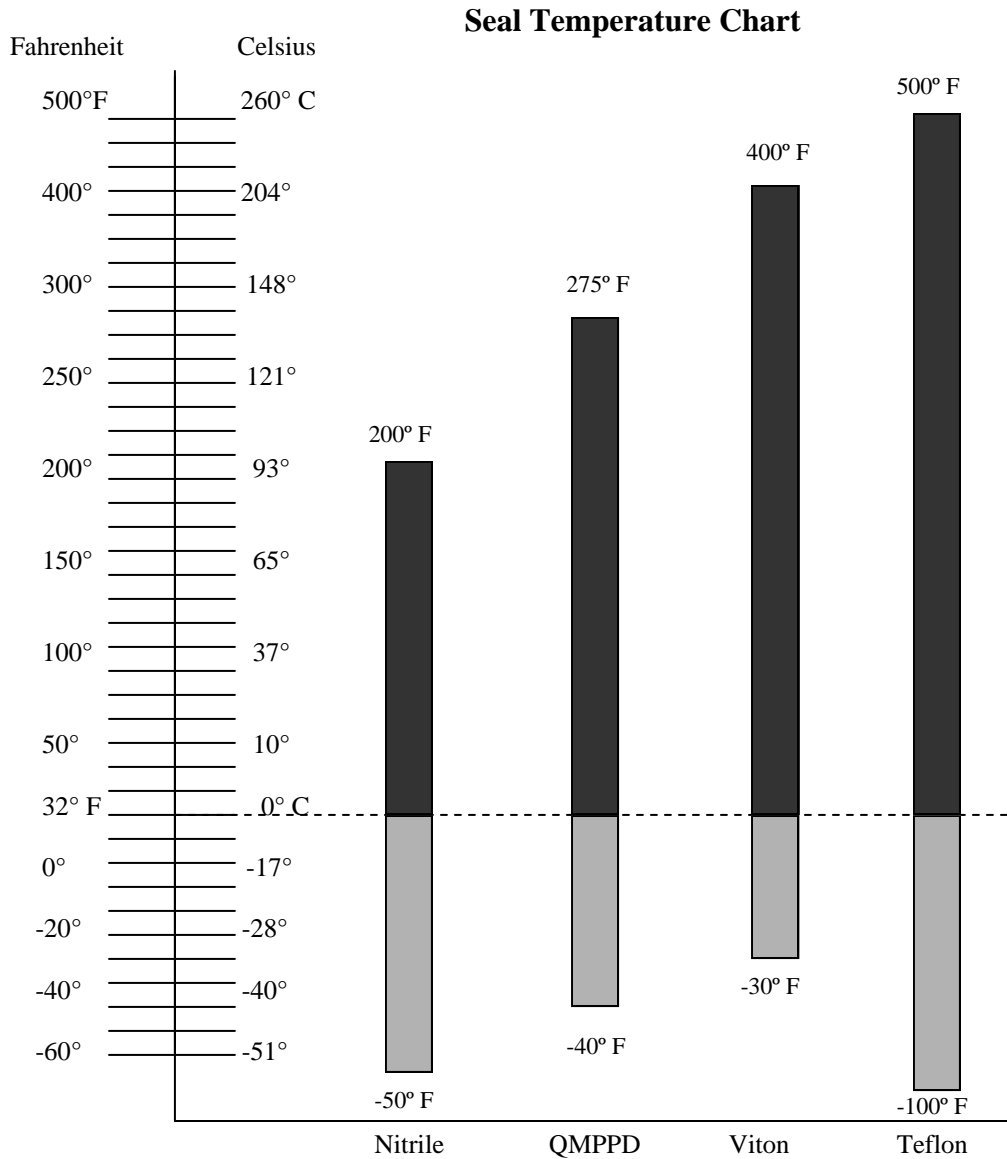
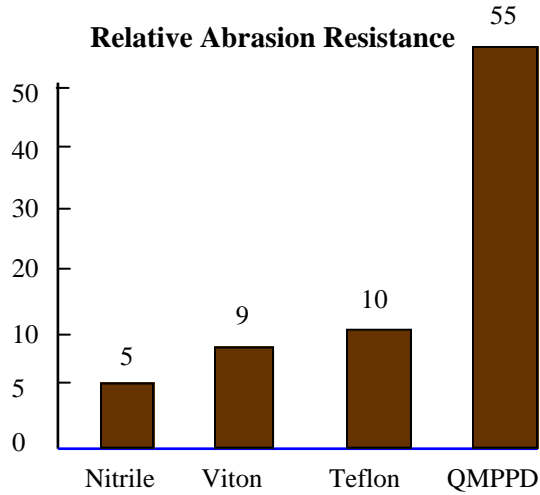
<u>Seal size</u>	<u>Shaft size</u>	<u>Seal size</u>	<u>Shaft size</u>	<u>Seal size</u>	<u>Shaft size</u>	<u>Seal size</u>	<u>Shaft size</u>
CJVR08	1-7/16"	CJCC115	1-15/16"	CKVR11	1-15/16"	CKCC115	1-15/16"
CJVR08	1-1/2"	CJCC200	2"	CKVR11	2"	CKCC200	2"
CJVR09	1-11/16"	CJCC050	50mm	CKVR11	50mm	CKCC050	50mm
CJVR09	40mm	CJCC203	2-3/16"	CKVR13	2-3/16"	CKCC203	2-3/16"
CJVR09	1-3/4"	CJCC204	2-1/4"	CKVR13	2-1/4"	CKCC204	2-1/4"
CJVR09	45mm	CJCC055	55mm	CKVR13	60mm	CKCC055	55mm
CJVR10	1-15/16"	CJCC060	60mm	CKVR15	2-7/16"	CKCC060	60mm
CJVR10	2"	CJCC207	2-7/16"	CKVR15	2-1/2"	CKCC207	2-7/16"
CJVR10	50mm	CJCC208	2-1/2"	CKVR15	65mm	CKCC208	2-1/2"
CJVR11	2-3/16"	CJCC065	65mm	CKVR17	2-15/16"	CKCC065	65mm
CJVR11	2-1/4"	CJCC215	2-15/16"	CKVR17	3"	CKCC215	2-15/16"
CJVR11	55mm	CJCC300	3"	CKVR17	75mm	CKCC300	3"
CJVR13	60mm	CJCC075	75mm	CKVR20	3-7/16"	CKCC075	75mm
CJVR13	2-7/16"	CJCC307	3-7/16"	CKVR20	3-1/2"	CKCC307	3-7/16"
CJVR13	2-1/2"	CJCC308	3-1/2"	CKVR20	90mm	CKCC308	3-1/2"
CJVR13	65mm	CJCC090	90mm	CKVR22	3-15/16"	CKCC090	90mm
CJVR15	70mm	CJCC315	3-15/16"	CKVR22	4"		
CJVR15	2-15/16"	CJCC400	4"	CKVR26	4-7/16"		
CJVR15	3"	CJCC100	100mm	CKVR26	4-1/2"		
CJVR15	75mm						
CJVR18	80mm						
CJVR18	3-7/16"						
CJVR18	3-1/2"						
CJVR18	90mm						
CJVR20	3-15/16"						
CJVR20	4"						
CJVR20	100mm						
CJVR22	4-7/16"						
CJVR22	4-1/2"						
CJVR22	115mm						
CJVR26	4-15/16"						
CJVR26	5"						

Other shaft sizes available on special order basis.

\*Viton is a registered trade mark of Dupont

How to order Primary Seals - Page 3	Secondary seal Configurations - Page 4	How to order Secondary Seal-Page 10	Temperature Limitations - Page 11	Speed Limitations - Page 12	Chemical Compatibility Chart - Page 132-135	<b>Page10</b>
--	---	--	--------------------------------------	--------------------------------	--	---------------

# Bearing Seal - Material performance & Temperature Chart



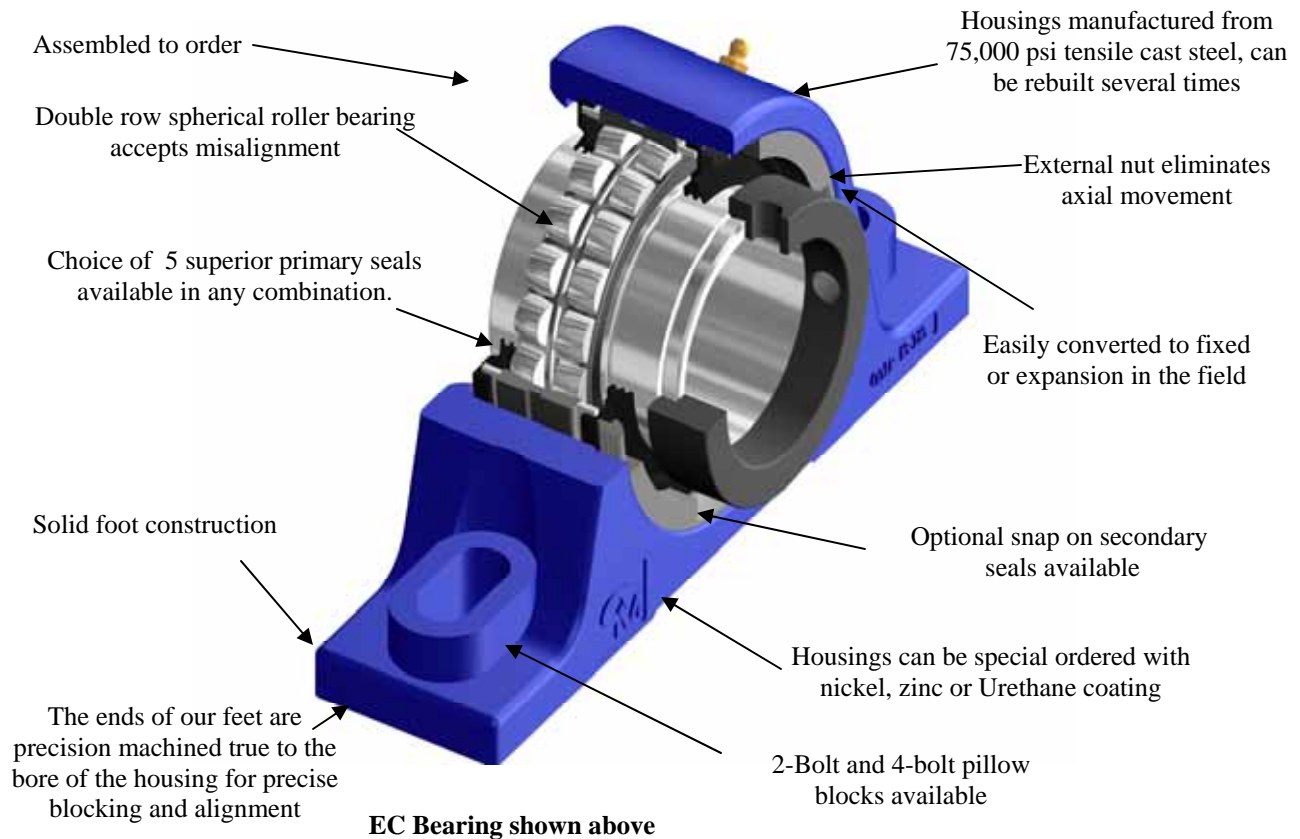
# Blue Brute - Limiting Speeds for Seals

Normal Limited Speeds for EC Series Bearings							
EC Series		Oil Lubrication			Grease Lubrication		
Shaft Size	Bearing Size	Standard 'M' Seal	Optional 'T' Seal	Optional 'B' Seal	Standard 'M' Seal	Optional 'T' Seal	Optional 'B' Seal
		RPM	RPM	RPM	RPM	RPM	RPM
1-7/16" — 1-1/2"	SLJ08	2700	4500	1950	2700	4000	1950
1-11/16" — 1-3/4"	SLJ09	2700	4500	1950	2700	4000	1950
1-15/16" — 50mm	SLJ10	2400	4200	1800	2400	3550	1800
2-3/16" — 2-1/4"	SLJ11	2200	3800	1600	2200	3200	1600
2-7/16" — 65mm	SLJ13	1800	3200	1500	1800	2800	1500
2-11/16" — 75mm	SLJ15	1600	2900	1300	1600	2400	1300
3-3/16" — 90mm	SLJ18	1400	2400	1000	1400	2000	1000
3-15/16" — 100mm	SLJ20	1200	2000	900	1200	1600	900
4-7/16" — 115mm	SLJ22	900	1700	600	900	1200	600
4-15/16" — 130mm	SLJ26	700	1500	400	700	1000	400
5-7/16" — 6"	SLJ30	650	950	350	600	800	350
6-7/16" — 7"	SLJ34	600	900	350	600	800	350

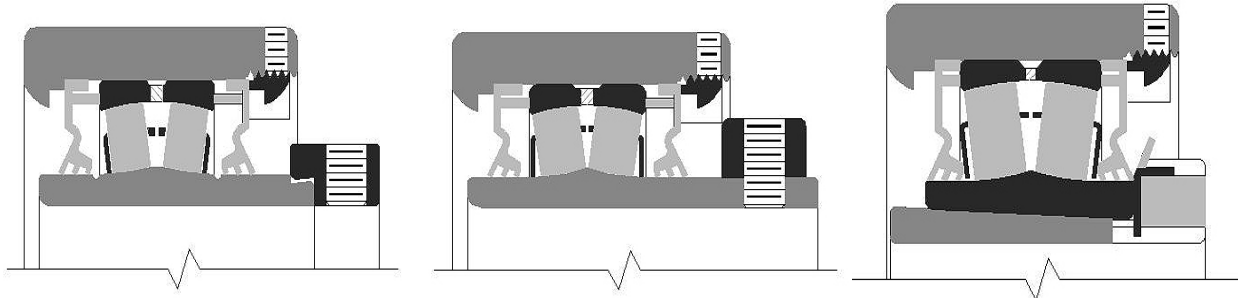
Normal Limited Speeds for CL Series Bearings							
CL Series		Oil Lubrication			Grease Lubrication		
Shaft Size	Bearing Size	Standard 'M' Seal	Optional 'T' Seal	Optional 'B' Seal	Standard 'M' Seal	Optional 'T' Seal	Optional 'B' Seal
		RPM	RPM	RPM	RPM	RPM	RPM
1-15/16" — 50mm	SLA10	2400	4200	1800	2400	3550	1800
2-3/16" — 2-1/4"	SLA11	2200	3800	1600	2200	3200	1600
2-7/16" — 65mm	SLA13	1800	3200	1500	1800	2800	1500
2-11/16" — 75mm	SLA15	1600	2900	1300	1600	2400	1300
3-3/16" — 90mm	SLA18	1400	2400	1000	1400	2000	1000
3-15/16" — 100mm	SLA20	1200	2000	900	1200	1600	900

Normal Limited Speeds for TA / DV Series Bearings							
TMF-Ultra		Oil Lubrication			Grease Lubrication		
Shaft Size	Bearing Size	Standard 'M' Seal	Optional 'T' Seal	Optional 'B' Seal	Standard 'M' Seal	Optional 'T' Seal	Optional 'B' Seal
		RPM	RPM	RPM	RPM	RPM	RPM
1-15/16" — 50mm	SLK11	2200	3800	1800	2200	3200	1600
2-3/16" — 2-1/4"	SLK13	1800	3200	1500	1800	2800	1500
2-7/16" — 65mm	SLK15	1600	2900	1300	1600	2400	1300
2-15/16" — 75mm	SLK17	1400	2400	1100	1400	2000	1100
3-7/16" — 90mm	SLK20	1200	2000	900	1200	1600	900
3-15/16" — 100mm	SLK22	900	1700	600	900	1200	600
4-7/16" — 115mm	SLK26	700	1500	400	700	1000	400

# Blue Brute® Pillow Block Bearings



**We Guarantee our steel housings for life against breakage.**



**EC - Eccentric Lock**  
Accepts heavy thrust loads

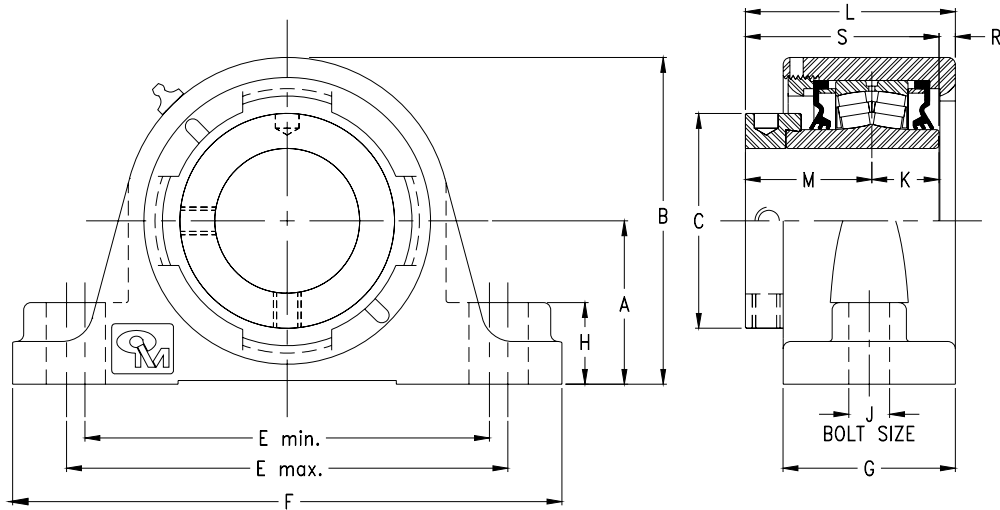
**CL - Set Screw Lock**  
Accepts light thrust loads

**DV / TA - Tapered Adapter Lock**

<p><b>EC Series -</b> Eccentric Locking Collar</p> <p>Unsurpassed for holding in heavy thrust, reversing or shock loading.</p> <p>We <b>guarantee</b> this bearing will not come loose if installed on a precision ground shaft (see page 60)</p> <p>See pages 14 –18</p>	<p><b>CL Series -</b> Concentric Locking Collar (set screw lock)</p> <p>Set screw locking 2 set screws @ 60°, provides maximum holding with minimal run out. Knurled point set screws provide positive locking.</p> <p>See pages 19 - 22</p>	<p><b>DV Series -</b> Tapered Adapter Sleeve</p> <p>DV Bearings are a drop in replacement for common American Set-screw mounted units, results in extremely high load capacities compared to any collar mounted unit. Best concentricity for high speeds.</p> <p>See pages 23 - 24</p>	<p><b>TA Series -</b> Tapered Adapter Sleeve</p> <p>TA Bearings are a direct drop in replacement for SAF/ SN split cap housing dimensions results in superior sealing and integrally robust housing. Best concentricity for high speeds.</p> <p>See pages 25 - 30</p>
---	--	--	---

# EC Series - QMP 2-Bolt Eccentric Lock Pillow Block

## Self aligning double row spherical roller bearing



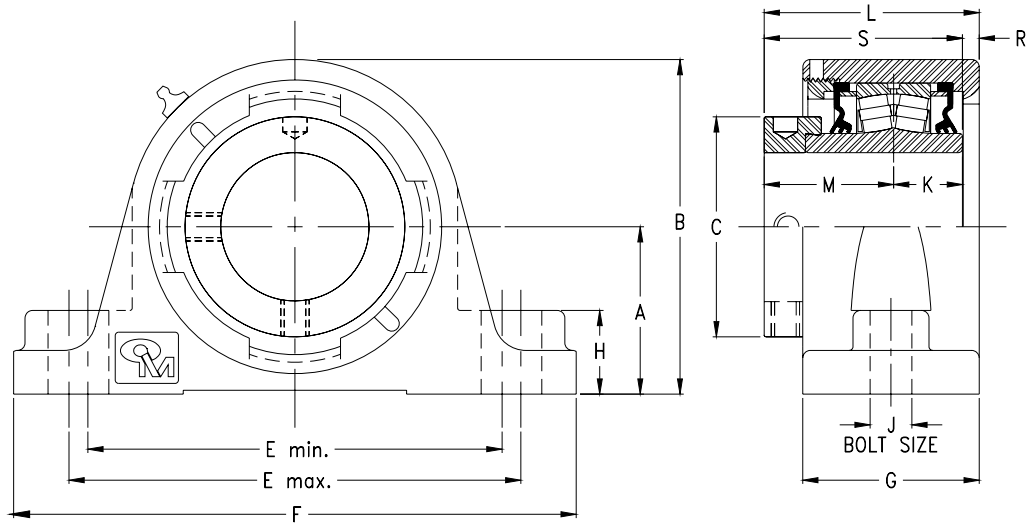
Our steel housings are *Guaranteed* for life against breakage  
 Our eccentric lock is *Guaranteed* not to come loose

Bearing Part #	Bore	A	B	C	E min	E max	F	G	H	J	K	L	M	R	S	Lbs
QMP08J107S	1-7/16"	1.88	3.73	2.38	4.69	6.00	6.88	2.25	1.00	1/2"	1.00	2.82	1.75	0.07	2.75	8
QMP08J108S	1-1/2"	2.13	3.98	2.38	4.69	6.50	7.89	2.25	1.00	1/2"	1.00	2.80	1.75	0.05	2.75	8
QMP09J111S	1-11/16"	2.13	4.13	2.62	5.70	6.50	7.88	2.37	1.25	1/2	1.00	3.06	1.88	0.19	2.88	9
QMP09J040S	40mm	2.25	4.25	2.62	6.25	7.12	8.88	2.44	1.25	5/8	1.00	3.06	1.88	0.19	2.88	9
QMP09J112S	1-3/4"															
QMP09J045S	45mm															
QMP10J115S	1-15/16"	2.25	4.50	2.76	6.00	7.12	8.88	2.44	1.25	5/8	0.98	3.10	1.89	0.23	2.87	11
QMP10J200S	2"															
QMP10J050S	50mm															
QMP11J203S	2-3/16"	2.50	5.00	2.99	6.50	7.87	9.63	2.50	1.25	5/8	1.13	3.23	2.00	0.11	3.13	14
QMP11J204S	2-1/4"															
QMP11J055S	55mm															
QMP13J060S	60mm	2.75	5.50	3.62	6.88	8.62	10.25	2.90	1.38	5/8	1.24	3.55	2.15	0.17	3.39	19
QMP13J207S	2-7/16"															
QMP13J208S	2-1/2"															
QMP13J065S	65mm															
QMP15J211S	2-11/16"	3.13	6.13	4.01	7.88	9.62	11.63	2.91	1.38	3/4	1.25	3.78	2.37	0.16	3.62	23
QMP15J212S	2-3/4"															
QMP15J070S	70mm															
QMP15J215S	2-15/16"															
QMP15J300S	3"															
QMP15J075S	75mm															
QMP18J303S	3-3/16"	3.75	7.50	4.76	9.38	11.25	13.50	3.41	1.88	7/8	1.44	4.16	2.59	0.15	4.03	39
QMP18J304S	3-1/4"															
QMP18J080S	80mm															
QMP18J307S	3-7/16"															
QMP18J308S	3-1/2"															
QMP18J090S	90mm															
QMP20J311S	3-11/16"	4.13	8.18	6.00	10.04	12.60	14.25	3.65	2.00	1	1.63	4.74	2.96	0.16	4.59	49
QMP20J315S	3-15/16"															
QMP20J400S	4"															
QMP20J100S	100mm															

- Modifying a fixed bearing to a floating bearing is done by adjusting the bearing nut.  
 Reverse the nut by one revolution to achieve recommended end float. See Page 66

# EC Series - QMPL 2-Bolt Eccentric Lock Pillow Block

## Self aligning double row spherical roller bearing



Our steel housings are **Guaranteed** for life against breakage

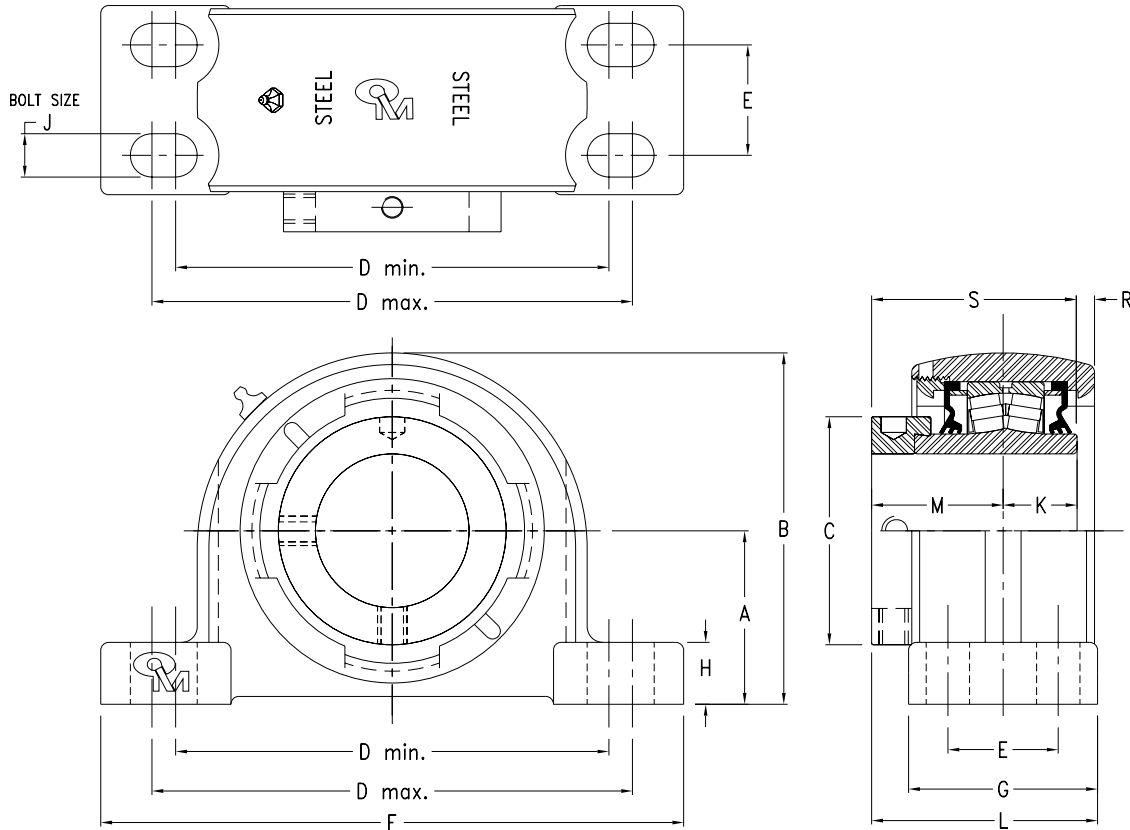
Our eccentric lock is **Guaranteed** not to come loose

Bearing Part #	Bore	A	B	C	E min	E max	F	G	H	J	K	L	M	R	S	Lbs
QMPL08J107S	1-7/16"	1.88	3.73	2.38	4.69	6.00	6.88	2.25	1.0	1/2	1.0	2.88	1.75	0.13	2.75	8
QMPL08J108S	1-1/2"															
QMPL09J040S	40mm	2.13	4.25	2.63	5.25	5.75	7.12	2.37	1.13	1/2	1.00	3.06	1.88	0.19	2.88	9
QMPL09J111S	1-11/16"															
QMPL09J112S	1-3/4"															
QMPL09J045S	45mm															
QMPL10J115S	1-15/16"	2.25	4.50	2.76	5.93	6.36	8.38	2.44	1.25	5/8	0.98	3.10	1.89	0.23	2.87	11
QMPL10J200S	2"															
QMPL10J050S	50mm															
QMPL11J055S	55mm	2.50	5.00	2.99	6.50	7.06	8.88	2.50	1.25	5/8	1.13	3.23	2.00	0.11	3.13	14
QMPL11J203S	2-3/16"															
QMPL11J204S	2-1/4"															
QMPL13J060S	60mm	2.75	5.50	3.62	6.81	7.44	9.25	2.90	1.38	5/8	1.24	3.55	2.15	0.17	3.39	19
QMPL13J207S	2-7/16"															
QMPL13J208S	2-1/2"															
QMPL13J065S	65mm															
QMPL15J211S	2-11/16"	3.25	6.26	4.01	7.70	8.40	10.44	2.91	1.38	3/4	1.25	3.78	2.37	0.16	3.62	23
QMPL15J212S	2-3/4"															
QMPL15J070S	70mm															
QMPL15J215S	2-15/16"															
QMPL15J300S	3"															
QMPL15J075S	75mm															
QMPL18J303S	3-3/16"	3.75	7.50	4.76	9.25	10.75	13.00	3.41	1.88	7/8	1.44	4.32	2.59	0.15	4.03	39
QMPL18J304S	3-1/4"															
QMPL18J080S	80mm															
QMPL18J307S	3-7/16"															
QMPL18J308S	3-1/2"															
QMPL18J090S	90mm															
QMPL20J311S	3-11/16"	4.25	8.30	6.00	10.04	12.60	14.25	3.65	2.12	1	1.63	4.75	2.96	0.16	4.59	49
QMPL20J315S	3-15/16"															
QMPL20J400S	4"															
QMPL20J100S	100mm															

- Modifying a fixed bearing to a floating bearing is done by adjusting the bearing nut.  
Reverse the nut by one revolution to achieve recommended end float. See Page 66

# EC Series - QMPF 4-Bolt Eccentric Lock Pillow Block

## Self aligning double row spherical roller bearing



Our steel housings are **Guaranteed** for life against breakage  
 Our eccentric lock is **Guaranteed** not to come loose

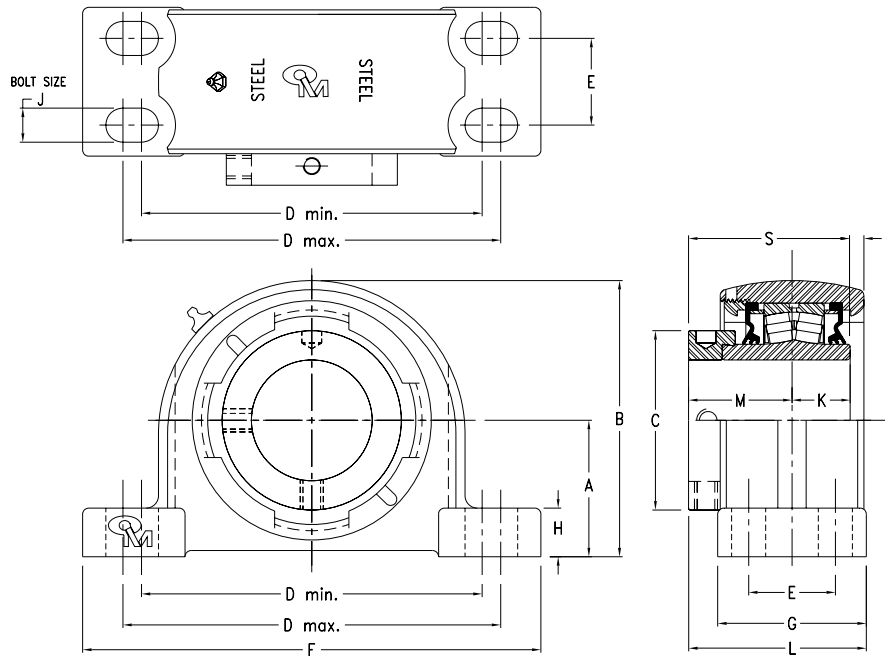
Bearing Part #	Bore	A	B	C	D min	D max	E	F	G	H	J	K	L	M	R	S	Lbs.
QMPF13J060S	60mm	2.75	5.57	3.62	6.88	7.63	1.75	9.25	3.0	0.98	5/8	1.24	3.59	2.15	0.17	3.39	17
QMPF13J207S	2-7/16"																
QMPF13J208S	2-1/2"																
QMPF13J065S	65mm																
QMPF15J211S	2-11/16"	3.25	6.38	4.01	7.60	9.10	1.88	10.44	3.13	1.29	5/8	1.25	3.89	2.37	0.16	3.62	22
QMPF15J212S	2-3/4"																
QMPF15J070S	70mm																
QMPF15J215S	2-15/16"																
QMPF15J300S	3"	3.75	7.50	4.76	8.88	10.88	2.00	12.30	3.75	1.56	3/4	1.44	4.31	2.59	0.15	4.03	43
QMPF15J075S	75mm																
QMPF18J303S	3-3/16"																
QMPF18J304S	3-1/4"																
QMPF18J080S	80mm	3.75	7.50	4.76	8.88	10.88	2.00	12.30	3.75	1.56	3/4	1.44	4.31	2.59	0.15	4.03	43
QMPF18J307S	3-7/16"																
QMPF18J308S	3-1/2"																
QMPF18J090S	90mm																

Continued on next page.....

- Modifying a fixed bearing to a floating bearing is done by adjusting the bearing nut.  
 Reverse the nut by one revolution to achieve recommended end float. See Page 66

# EC Series - QMPF 4-Bolt Eccentric Lock Pillow Block

## Self aligning double row spherical roller bearing



Our steel housings are *Guaranteed* for life against breakage  
 Our eccentric lock is *Guaranteed* not to come loose

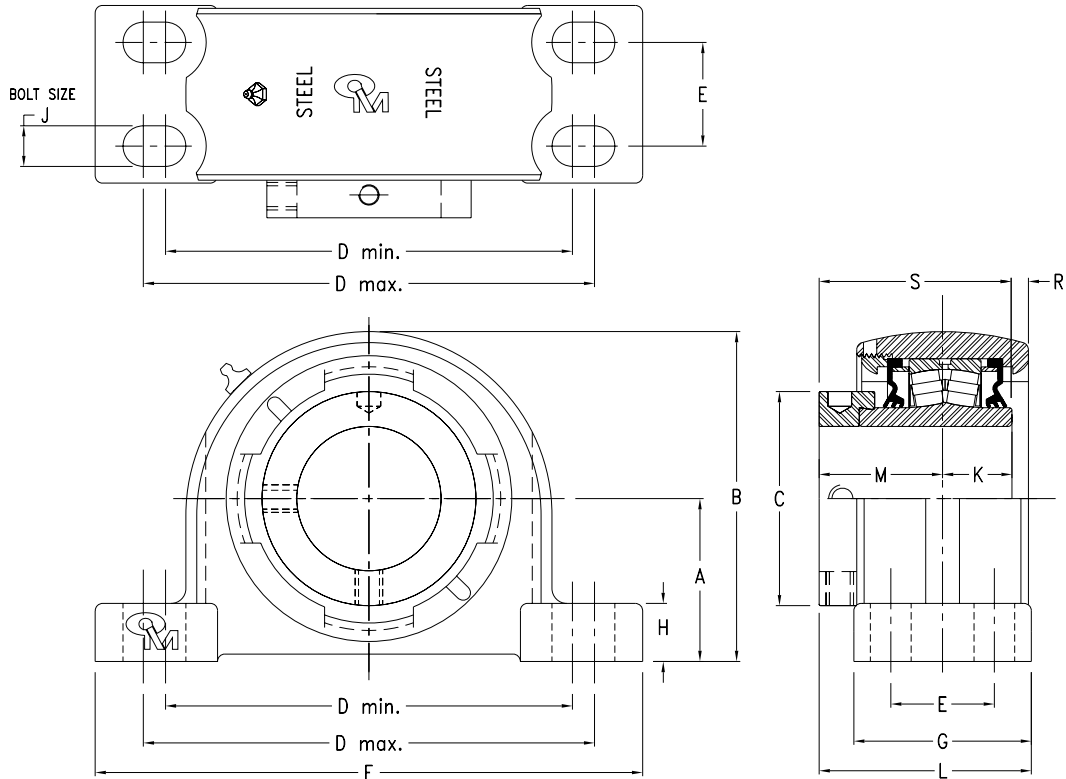
Bearing Part #	Bore	A	B	C	D min	D max	E	F	G	H	J	K	L	M	R	S	Lbs.
QMPF20J311S	3-11/16"	4.25	8.29	6.00	10.88	13.38	2.25	14.88	4.31	1.40	3/4	1.63	5.03	2.96	0.16	4.59	57
QMPF20J315S	3-15/16"																
QMPF20J400S	4"																
QMPF20J100S	100mm																
QMPF22B407S	4-7/16"	4.75	9.19	6.29	11.88	14.50	2.50	16.13	4.75	1.58	3/4	1.83	5.99	3.70	0.09	5.53	72
QMPF22B408S	4-1/2"																
QMPF22B115S	115mm																
QMPF26B415S	4-15/16"	5.50	10.67	6.88	15.13	15.88	2.75	17.50	5.04	1.54	7/8	2.31	6.24	3.72	0.0	6.03	124
QMPF26B500S	5"																
QMPF26B130S	130mm																
QMPF30B507S	5-7/16"	6.688	13.00	8.07	17.38	19.13	3.75	22.00	6.75	3.0	1	2.99	7.94	4.57	0.38	7.56	235
QMPF30B508S	5-1/2"																
QMPF30B140S	140mm																
QMPF30B515S	5-15/16"	6.688	13.00	8.07	17.38	19.13	3.75	22.00	6.75	3.0	1	2.99	7.94	4.57	0.38	7.56	235
QMPF30B600S	6"																
QMPF30B150S	150mm																
QMPF34B607S	6-7/16"	7.50	15.38	9.25	21.25	23.25	4.625	26	7.5	2.50	1	3.35	8.83	5.08	0.22	8.43	360
QMPF34B608S	6-1/2"																
QMPF34B170S	170mm																
QMPF34B615S	6-15/16"	7.50	15.38	9.25	21.25	23.25	4.625	26	7.5	2.50	1	3.35	8.83	5.08	0.22	8.43	360
QMPF34B700S	7"																
QMPF34B180S	170mm																

- Modifying a fixed bearing to a floating bearing is done by adjusting the bearing nut.  
 Reverse the nut by one revolution to achieve recommended end float. See Page 66



# EC Series - QMPR 4-Bolt Eccentric Lock Pillow Block

## Self aligning double row spherical roller bearing



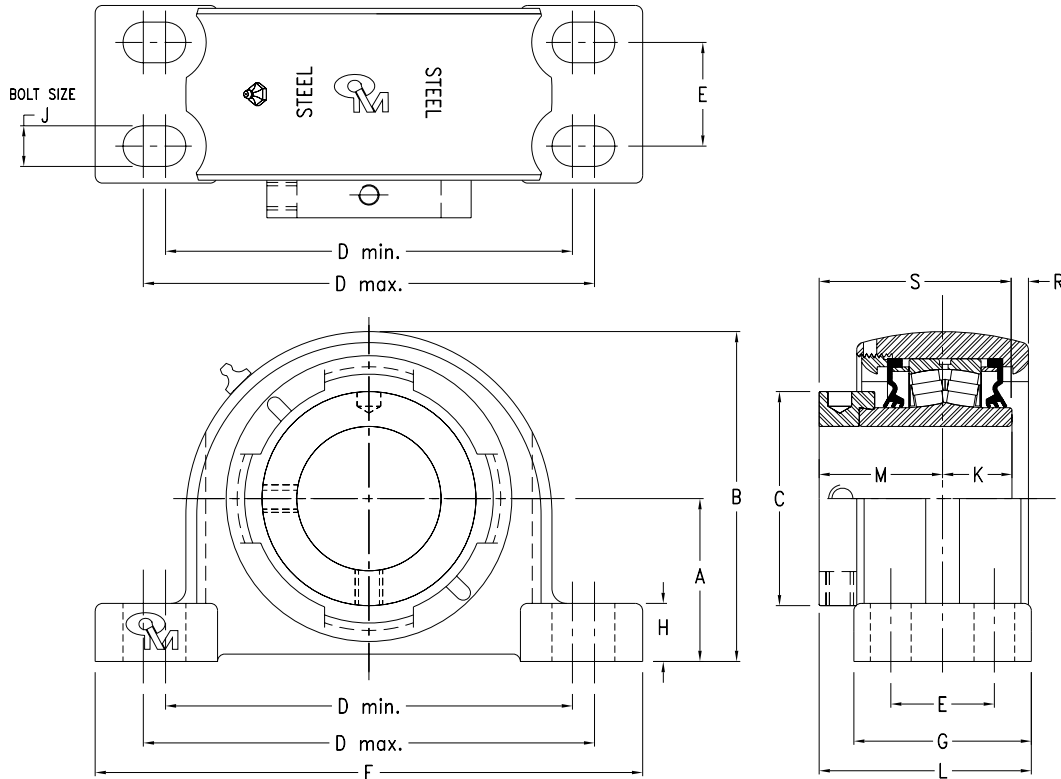
Our steel housings are **Guaranteed** for life against breakage  
 Our eccentric lock is **Guaranteed** not to come loose

Bearing Part #	Bore	A	B	C	D min	D max	E	F	G	H	J	K	L	M	R	S	Lbs
QMPR13J060S	60mm	2.75	5.57	3.62	7.13	8.75	1.88	10.25	3.25	0.98	5/8	1.24	3.72	2.15	0.17	3.39	17
QMPR13J207S	2-7/16"																
QMPR13J208S	2-1/2"																
QMPR13J065S	65mm																
QMPR15J211S	2-11/16"	3.13	6.25	4.01	8.00	9.60	2.13	10.83	3.38	1.16	5/8	1.25	4.02	2.37	0.16	3.62	22
QMPR15J212S	2-3/4"																
QMPR15J070S	70mm																
QMPR15J215S	2-15/16"																
QMPR15J300S	3"																
QMPR15J075S	75mm																
QMPR18J303S	3-3/16"	3.75	7.50	4.76	9.25	11.25	2.38	13.63	3.75	1.56	3/4	1.44	4.47	2.59	0.31	4.03	43
QMPR18J304S	3-1/4"																
QMPR18J080S	80mm																
QMPR18J307S	3-7/16"																
QMPR18J308S	3-1/2"																
QMPR18J090S	90mm																

- Modifying a fixed bearing to a floating bearing is done by adjusting the bearing nut.  
 Reverse the nut by one revolution to achieve recommended end float. See Page 66

# EC Series - QMPH /QMPG 4-Bolt Eccentric Lock Pillow Block

## Self aligning double row spherical roller bearing



**QMPG 4-Bolt SN EC Series Pillow Block**

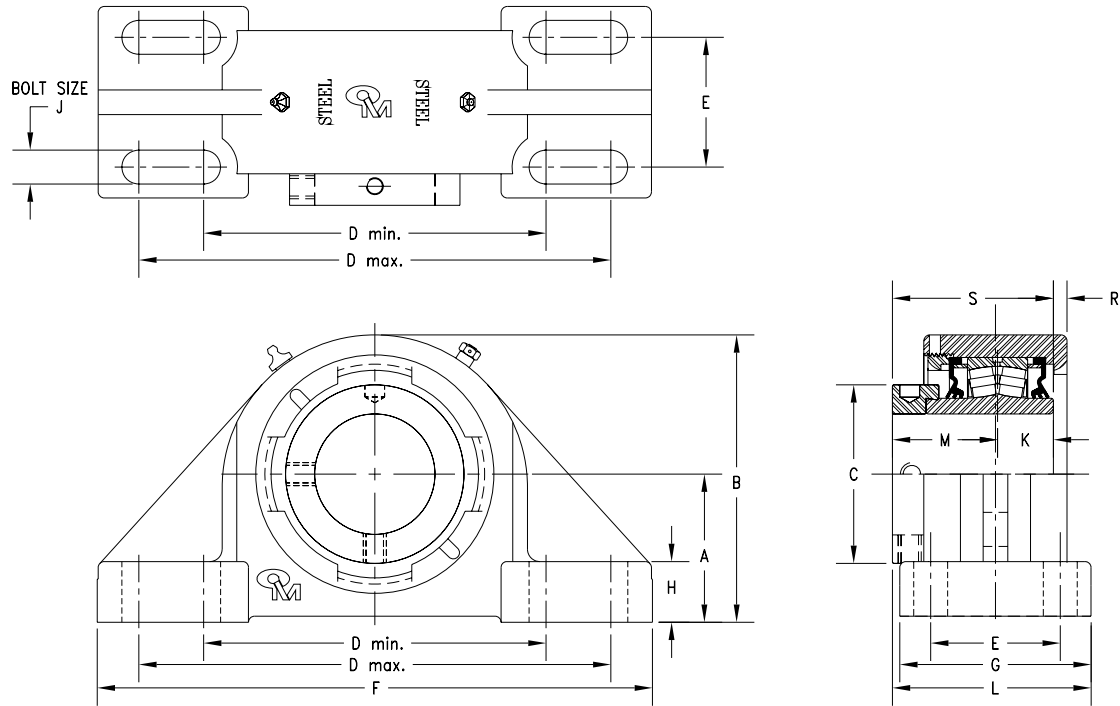
Bearing Part #	Bore	A	B	C	D min	D max	E	F	G	H	J	K	L	M	R	S	Lbs
QMPG26B415S	4-15/16"	5.906	11.08	6.88	15.13	17.63	3.63	19.69	5.04	1.94	1	2.31	6.24	3.72	-0.27	6.03	124
QMPG26B500S	5"																
QMPG30B507S	5-7/16"	6.693	13.08	8.07	17.25	19.00	3.98	21.65	6.75	3.0	1	2.99	7.82	4.57	0.38	7.56	235
QMPG30B508S	5-1/2"																
QMPG30B515S	5-15/16"	6.693	13.08	8.07	17.25	19.00	3.98	21.65	6.75	3.0	1	2.99	7.82	4.57	0.38	7.56	235
QMPG30B600S	6"																
QMPG34B607S	6-7/16"	7.500	15.38	9.25	20.88	23.63	4.625	28.0	7.5	2.50	1	3.35	8.91	5.08	0.404	8.43	360
QMPG34B608S	6-1/2"																
QMPG34B615S	6-15/16"	7.875	15.75	9.25	21.63	24.38	4.50	28.0	7.5	2.50	1	3.35	8.83	5.08	0.404	8.43	360
QMPG34B700S	7"																

**QMPH 4-Bolt SAF EC Series Pillow Block**

Bearing Part #	Bore	A	B	C	D min	D max	E	F	G	H	J	K	L	M	R	S	Lb s.
QMPH26B415S	4-15/16"	6.00	11.18	6.88	16.00	17.13	3.38	20.13	5.04	2.04	1	2.31	6.24	3.72	-.028	6.03	124
QMPH26B500S	5"																
QMPH30B507S	5-7/16"	6.688	13.02	8.07	17.38	19.13	3.75	22.00	6.75	3.0	1	2.99	8.07	4.57	0.58	7.56	235
QMPH30B508S	5-1/2"																
QMPH30B515S	5-15/16"	7.063	13.38	8.07	19.38	21.63	4.25	24.75	6.75	3.38	1	2.99	7.94	4.57	0.58	7.56	235
QMPH30B600S	6"																
QMPH34B607S	6-7/16"	7.500	15.38	9.25	20.88	23.63	4.625	28.0	7.5	2.50	1	3.35	8.91	5.08	0.404	8.43	360
QMPH34B608S	6-1/2"																
QMPH34B615S	6-15/16"	7.875	15.75	9.25	21.63	24.38	4.50	28.0	7.5	2.50	1	3.35	8.83	5.08	0.404	8.43	360
QMPH34B700S	7"																

# EC Series - QMPX 4-Bolt Eccentric Lock Pillow Block

## Self aligning double row spherical roller bearing



Our steel housings are **Guaranteed** for life against breakage  
 Our eccentric lock is **Guaranteed** not to come loose

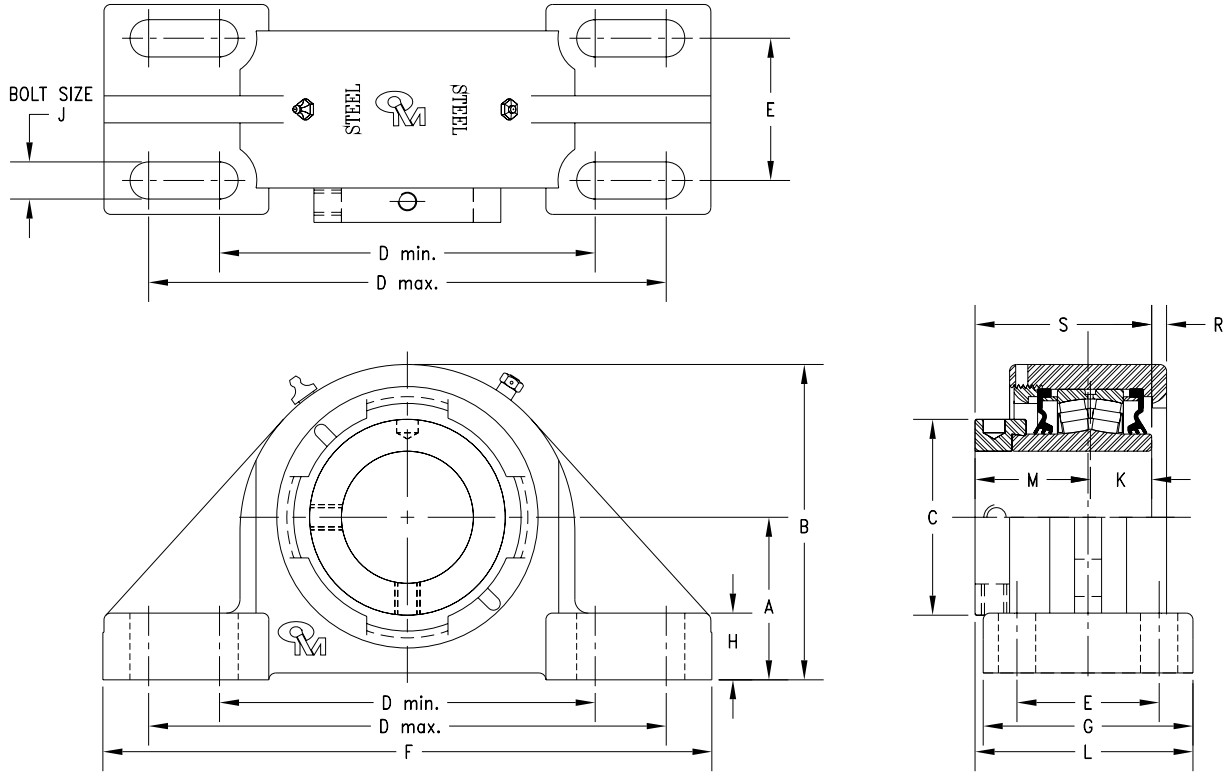
Bearing Part #	Bore	A	B	C	D min	D max	E	F	G	H	J	K	L	M	R	S	Lbs.
QMPX13J060S	60mm	3.00	5.82	3.62	6.94	9.56	2.63	11.25	3.88	1.22	3/4	1.24	4.03	2.15	0.17	3.39	20
QMPX13J207S	2-7/16"																
QMPX13J208S	2-1/2"																
QMPX13J065S	65mm																
QMPX15J211S	2-11/16"	3.50	6.83	4.01	9.06	10.44	2.75	13.00	4.25	1.54	3/4	1.25	4.45	2.37	0.16	3.62	23
QMPX15J212S	2-3/4"																
QMPX15J070S	70mm																
QMPX15J215S	2-15/16"																
QMPX15J300S	3"																
QMPX15J075S	75mm																
QMPX18J303S	3-3/16"	4.00	7.92	4.76	10.81	12.19	3.00	15.00	4.75	1.50	3/4	1.44	4.81	2.59	0.15	4.03	43
QMPX18J304S	3-1/4"																
QMPX18J080S	80mm																
QMPX18J307S	3-7/16"																
QMPX18J308S	3-1/2"																
QMPX18J090S	90mm																
QMPX20J311S	3-11/16"	5.00	9.44	6.00	12.50	14.00	3.50	16.75	5.50	1.63	7/8	1.63	4.75	2.96	0.16	4.59	57
QMPX20J315S	3-15/16"																
QMPX20J400S	4"																
QMPX20J100S	100mm																

Continued on next page.....

- Modifying a fixed bearing to a floating bearing is done by adjusting the bearing nut.  
 Reverse the nut by one revolution to achieve recommended end float. See Page 66

# EC Series - QMPX 4-Bolt Eccentric Lock Pillow Block

## Self aligning double row spherical roller bearing



Our steel housings are *Guaranteed* for life against breakage  
 Our eccentric lock is *Guaranteed* not to come loose

Bearing Part #	Bore	A	B	C	D min	D max	E	F	G	H	J	K	L	M	R	S	Lbs.
QMPX22B407S	4-7/16"																
QMPX22B408S	4-1/2"	5.75	10.73	6.29	13.94	15.56	4.00	18.50	6.25	1.80	1	1.83	5.62	3.70	0.09	5.53	72
QMPX22B115S	115mm																
QMPX26B415S	4-15/16"																
QMPX26B500S	5"	6.125	11.15	6.89	15.25	16.75	4.25	20.25	6.75	2.00	1-1/8	2.31	7.10	3.72	-0.06	5.93	124
QMPX26B130S	130mm																
QMPX30B507S	5-7/16" *																
QMPX30B508S	5-1/2" *	6.688	13.00	8.07	17.32	19.125	3.68	22.00	6.75	3.00	1-1/8	2.62	7.94	4.57	0.26	7.56	235
QMPX30B140S	140mm																
QMPX30B515S	5-15/16" *																
QMPX30B600S	6" *	7.065	13.38	8.07	19.25	21.75	4.188	24.75	6.75	3.38	1-1/8	2.62	7.94	4.57	0.26	7.56	235
QMPX30B150S	150mm																
QMPX34B607S	6-7/16" **																
QMPX34B508S	6-1/2" **	7.875	15.75	9.25	20.63	25.50	4.44	28.00	7.50	2.88	1-1/4	3.35	8.83	5.08	0.22	8.43	380
QMPX34B170S	170mm																
QMPX34B615S	6-15/16" **																
QMPX34B700S	7" **	7.875	15.75	9.25	20.63	25.50	4.44	28.00	7.50	2.88	1-1/4	3.35	8.83	5.08	0.22	8.43	380
QMPX34B180S	180mm																

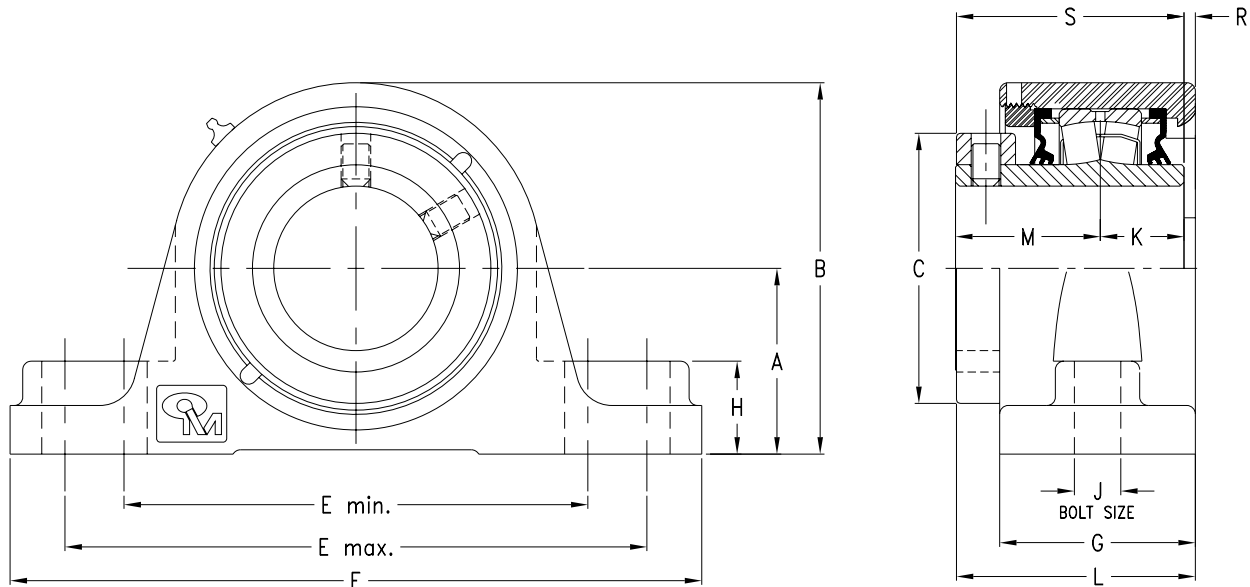
\* Uses a 23230 series insert bearing

\*\* Uses a 23234 series insert bearing

- Modifying a fixed bearing to a floating bearing is done by adjusting the bearing nut.  
 Reverse the nut by one revolution to achieve recommended end float. See Page 66

# CL Series - QAP 2-Bolt Concentric Lock Pillow Block

## Self aligning double row spherical roller bearing



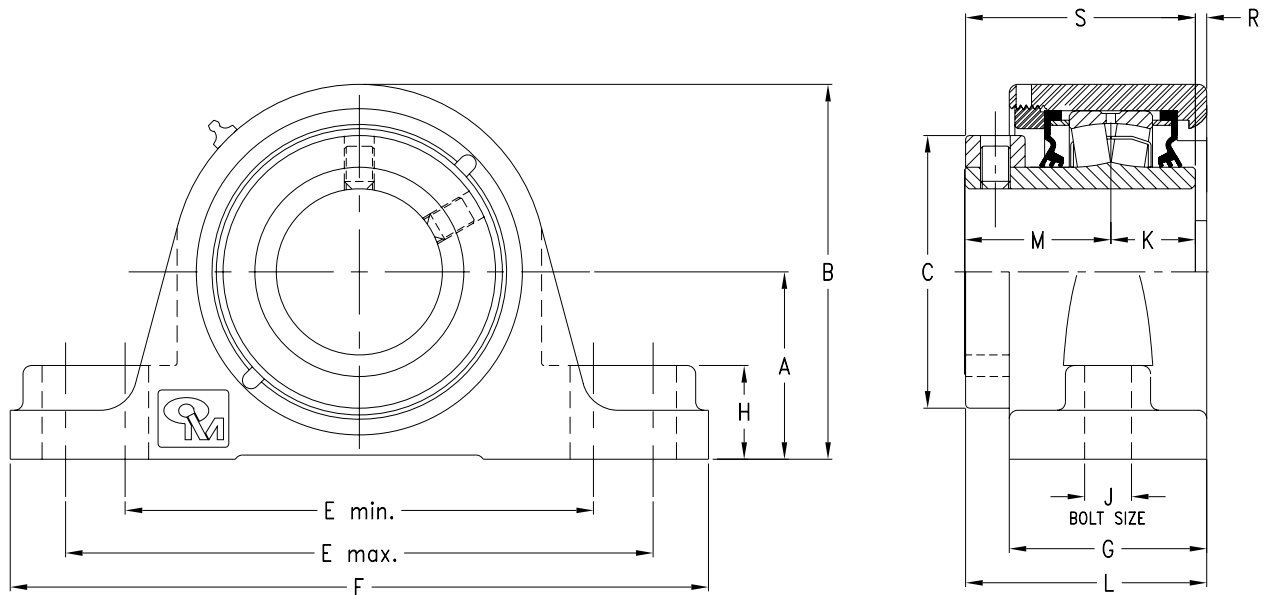
Our steel housings are *Guaranteed* for life against breakage

Bearing Part #	Bore	A	B	C	E min	E max	F	G	H	J	K	L	M	R	S	Lbs
QAP10A115S	1-15/16"	2.25	4.50	2.88	6.00	7.12	8.88	2.44	1.25	5/8	0.98	3.10	1.89	0.23	2.87	11
QAP10A200S	2"															
QAP10A050S	50mm															
QAP11A203S	2-3/16"	2.50	5.00	3.25	6.50	7.87	9.63	2.50	1.25	5/8	1.13	3.23	2.00	0.11	3.13	14
QAP11A204S	2-1/4"															
QAP13A207S	2-7/16"															
QAP13A208S	2-1/2"	2.75	5.50	4.00	6.88	8.62	10.25	2.90	1.38	5/8	1.24	3.55	2.15	0.17	3.39	19
QAP13A065S	65mm															
QAP15A215S	2-15/16"															
QAP15A300S	3"	3.13	6.13	4.50	7.88	9.62	11.63	2.91	1.38	3/4	1.25	3.78	2.37	0.16	3.62	23
QAP15A075S	75mm															
QAP18A307S	3-7/16"															
QAP18A308S	3-1/2"	3.75	7.50	5.13	9.38	11.25	13.50	3.41	1.88	7/8	1.44	4.18	2.59	0.15	4.03	39
QAP18A090S	90mm															
QAP20A315S	3-15/16"															
QAP20A400S	4"	4.13	8.18	6.00	10.04	12.60	14.25	3.65	2.00	1.00	1.63	4.75	2.97	0.16	4.59	49
QAP20A100S	100mm															

- Modifying a fixed bearing to a floating bearing is done by adjusting the bearing nut.  
Reverse the nut by one revolution to achieve recommended end float. See Page 67

# CL Series - QAPL 2-Bolt Concentric Lock Pillow Block

## Self aligning double row spherical roller bearing



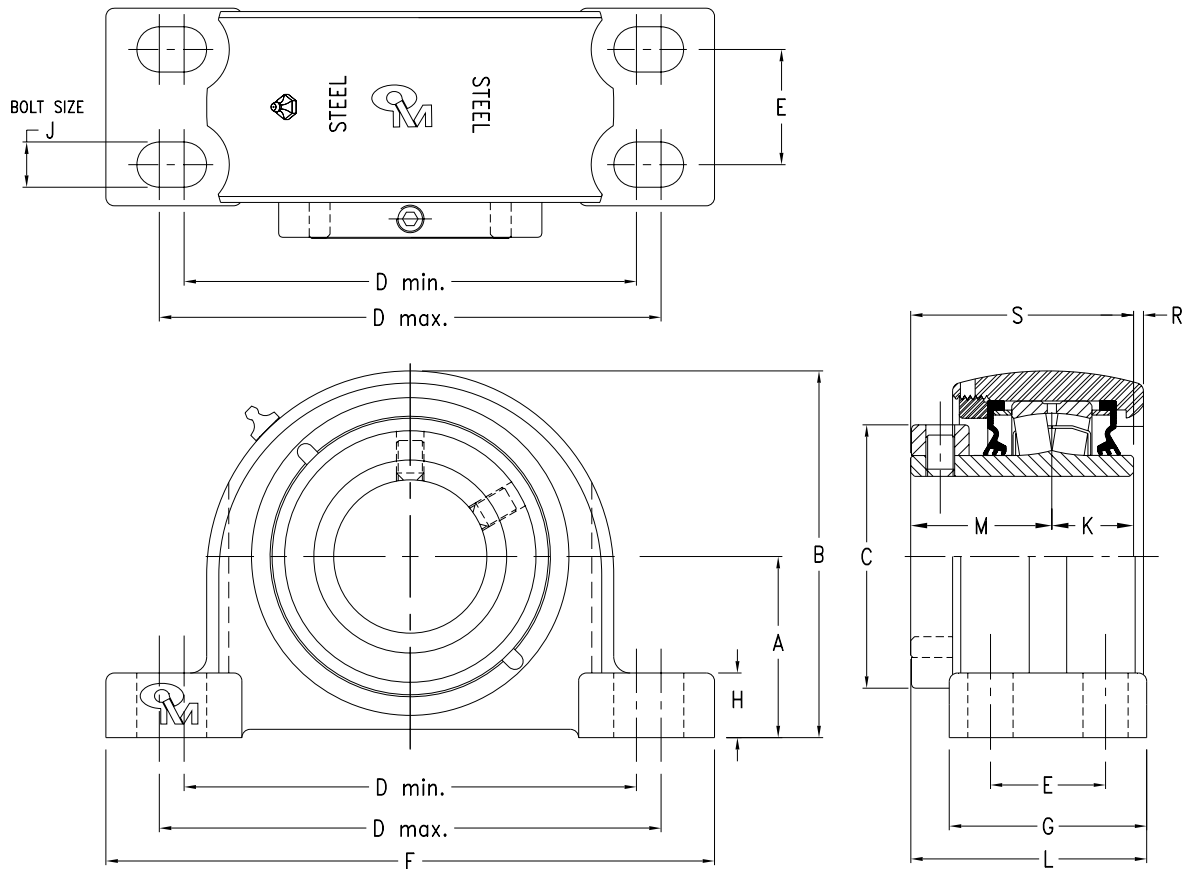
Our steel housings are *Guaranteed* for life against breakage

Bearing Part #	Bore	A	B	C	E min	E max	F	G	H	J	K	L	M	R	S	Lbs.
QAPL10A115S	1-15/16"	2.25	4.50	2.88	5.93	6.36	8.38	2.44	1.25	5/8	0.98	3.10	1.89	0.23	2.87	11
QAPL10A200S	2"															
QAPL10A050S	50mm															
QAPL11A203S	2-3/16"	2.50	5.00	3.25	6.50	7.06	8.88	2.50	1.25	5/8	1.13	3.23	2.00	0.11	3.13	14
QAPL11A204S	2-1/4"															
QAPL13A207S	2-7/16"	2.75	5.50	4.00	6.81	7.44	9.25	2.90	1.38	5/8	1.24	3.55	2.15	0.17	3.39	19
QAPL13A208S	2-1/2"															
QAPL13A065S	65mm															
QAPL15A215S	2-15/16"	3.25	6.26	4.50	7.70	8.40	10.44	2.91	1.38	3/4	1.25	3.78	2.37	0.16	3.62	23
QAPL15A300S	3"															
QAPL15A075S	75mm															
QAPL18A307S	3-7/16"	3.75	7.50	5.13	9.25	10.75	13.00	3.41	1.88	7/8	1.44	4.18	2.59	0.15	4.03	39
QAPL18A308S	3-1/2"															
QAPL18A090S	90mm															
QAPL20A315S	3-15/16"	4.25	8.30	6.00	10.04	12.60	14.25	3.65	2.12	1	1.63	4.75	2.97	0.16	4.59	49
QAPL20A400S	4"															
QAPL20A100S	100mm															

- Modifying a fixed bearing to a floating bearing is done by adjusting the bearing nut.  
Reverse the nut by one revolution to achieve recommended end float. See Page 67

# CL Series - QAPF 4-Bolt Concentric Lock Pillow Block

## Self aligning double row spherical roller bearing



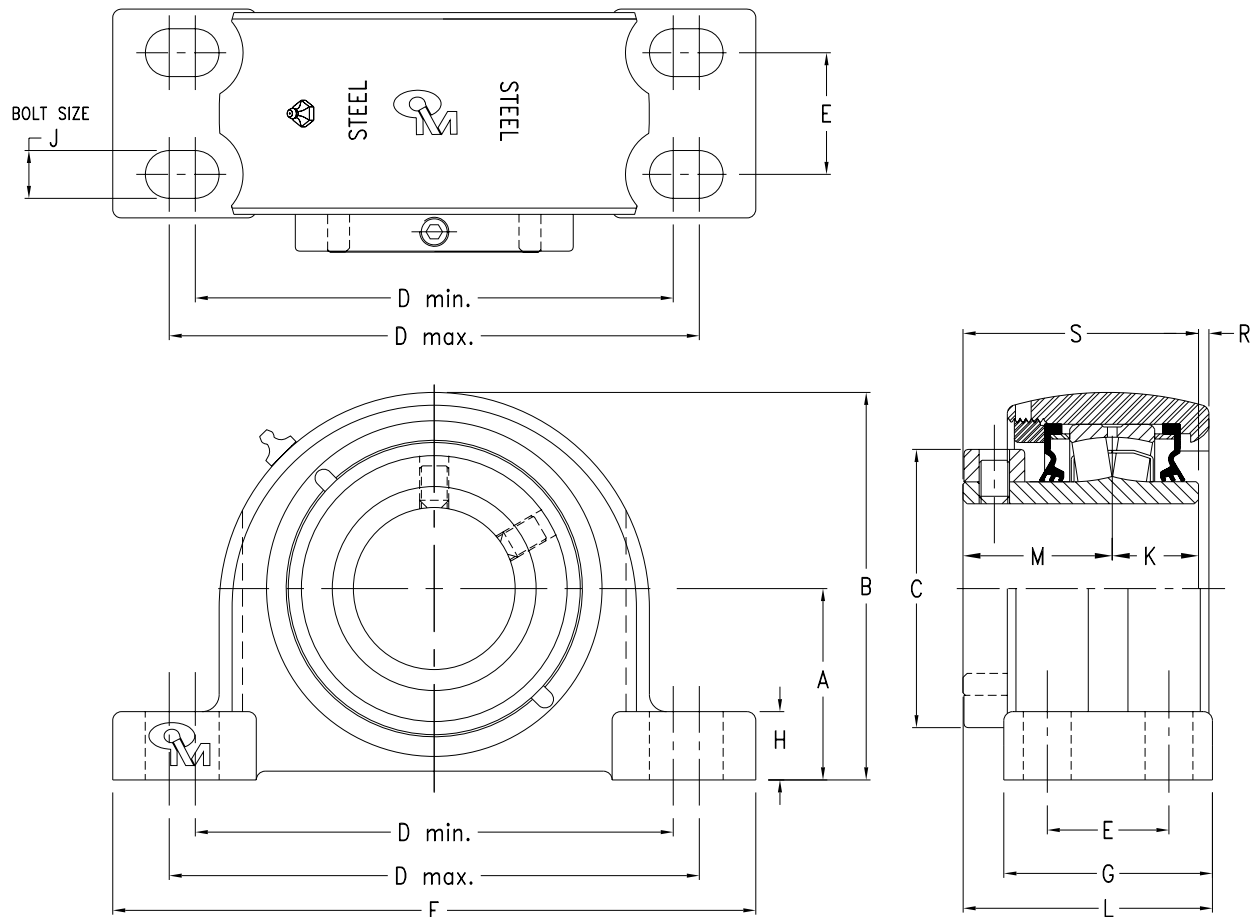
Our steel housings are *Guaranteed* for life against breakage

Bearing Part #	Bore	A	B	C	D min	D max	E	F	G	H	J	K	L	M	R	S	Lbs.	
QAPF13A207S	2-7/16"																	
QAPF13A208S	2-1/2"	2.75	5.57	4.00	6.88	7.63	1.75	9.25	3.00	0.98	5/8	1.24	3.59	2.15	0.17	3.39	17	
QAPF13A065S	65mm																	
QAPF15A215S	2-15/16"																	
QAPF15A300S	3"	3.25	6.38	4.50	7.60	9.10	1.88	10.44	3.13	1.29	5/8	1.25	3.89	2.37	0.16	3.62	22	
QAPF15A075S	75mm																	
QAPF18A307S	3-7/16"																	
QAPF18A308S	3-1/2"	3.75	7.50	5.13	8.88	10.88	2.00	12.30	3.75	1.56	3/4	1.44	4.31	2.59	0.15	4.03	43	
QAPF18A090S	90mm																	
QAPF20A315S	3-15/16"																	
QAPF20A400S	4"	4.25	8.29	6.00	10.88	13.38	2.25	14.88	4.31	1.40	3/4	1.63	5.13	2.96	0.25	4.59	57	
QAPF20A100S	100mm																	

- Modifying a fixed bearing to a floating bearing is done by adjusting the bearing nut.  
Reverse the nut by one revolution to achieve recommended end float. See Page 67

# CL Series - QAPR 4-Bolt Concentric Lock Pillow Block

## Self aligning double row spherical roller bearing



Our steel housings are *Guaranteed* for life against breakage

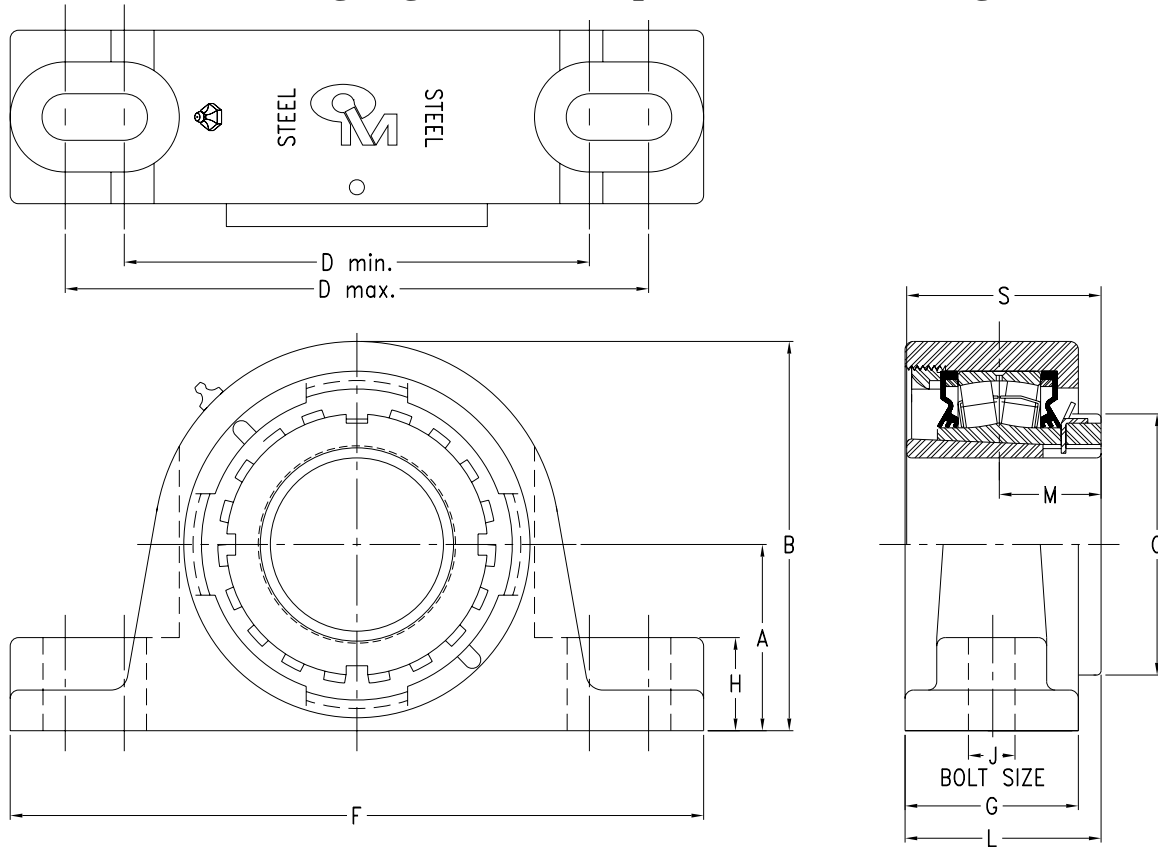
Bearing Part #	Bore	A	B	C	D min	D max	E	F	G	H	J	K	L	M	R	S	Lbs.
QAPR13A207S	2-7/16"	2.75	5.57	4.00	7.13	8.75	1.88	10.25	3.25	0.98	5/8	1.24	3.72	2.15	0.17	3.39	17
QAPR13A208S	2-1/2"																
QAPR13A065S	65mm																
QAPR15A215S	2-15/16"	3.13	6.25	4.50	8.00	9.60	2.13	10.83	3.38	1.16	5/8	1.25	4.02	2.37	0.16	3.62	22
QAPR15A300S	3"																
QAPR15A075S	75mm																
QAPR18A307S	3-7/16"	3.75	7.50	5.13	9.25	11.25	2.38	13.63	3.75	1.56	3/4	1.44	4.47	2.59	0.31	4.03	43
QAPR18A308S	3-1/2"																
QAPR18A090S	90mm																

- Modifying a fixed bearing to a floating bearing is done by adjusting the bearing nut.  
Reverse the nut by one revolution to achieve recommended end float. See Page 67



# DV Series - DVP 2-Bolt Tapered Adapter Mount Pillow Block

## Self aligning double row spherical roller bearing



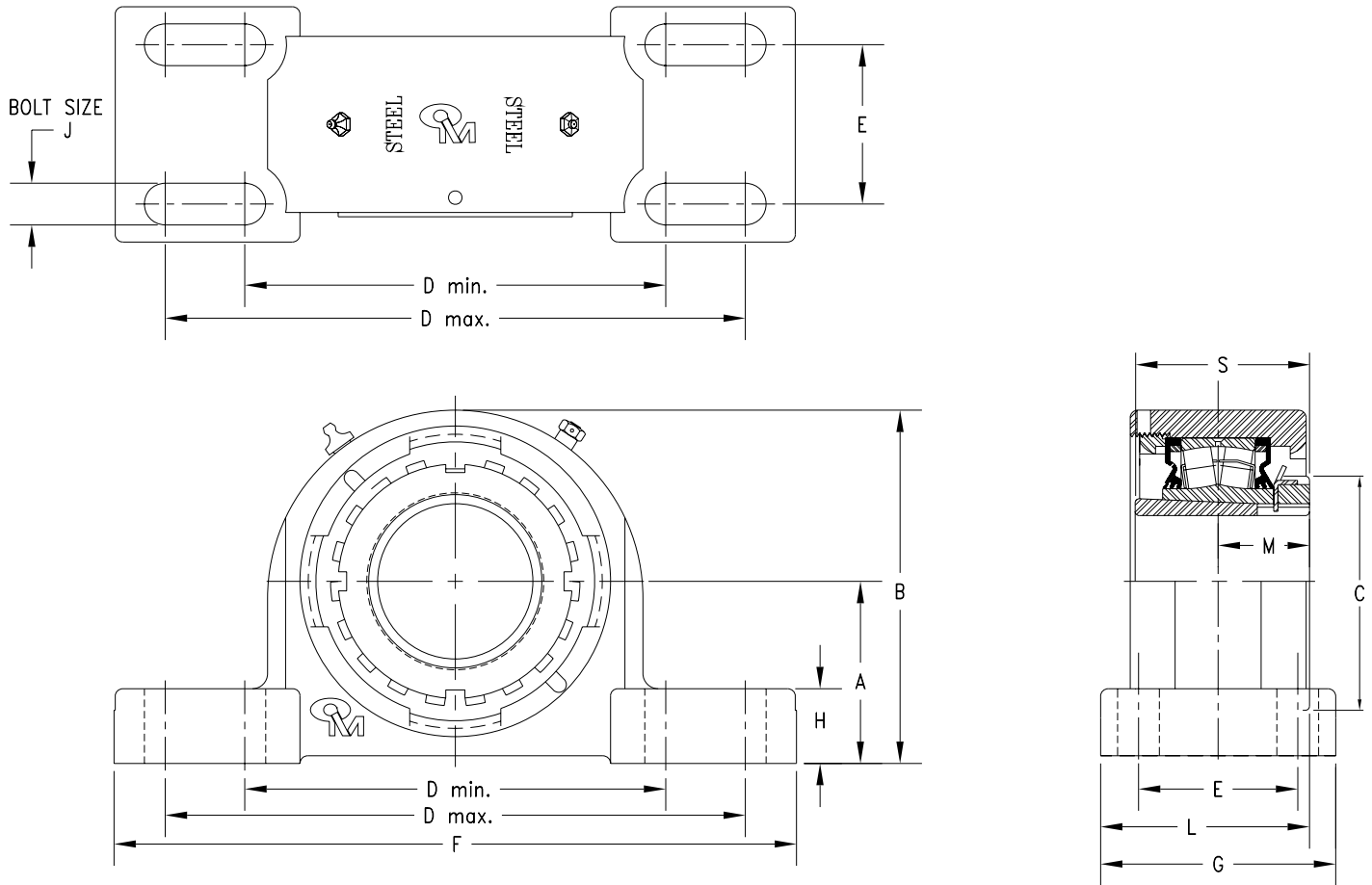
Our steel housings are *Guaranteed* for life against breakage

Bearing Part #	Bore	A	B	C	D min	D max	F	G	H	J	L	M	S	Lbs.
DVP11K115S	1-15/16"	2.25	4.60	2.95	6.00	7.12	8.88	2.25	1.25	5/8	2.43	1.24	2.32	12
DVP11K200S	2"													
DVP11K050S	50 mm													
DVP13K203S	2-3/16"	2.50	5.20	3.35	6.50	7.87	9.63	2.72	1.29	5/8	2.88	1.47	2.56	17
DVP13K204S	2-1/4"													
DVP13K060S	60mm													
DVP15K207S	2-7/16"	2.75	5.75	3.86	6.88	8.63	10.25	2.69	1.38	5/8	2.89	1.54	2.89	20
DVP15K208S	2-1/2"													
DVP15K065S	65mm													
DVP17K215S	2-15/16"	3.25	6.63	4.33	7.88	9.62	11.63	2.89	1.38	3/4	3.20	1.72	3.23	27
DVP17K300S	3"													
DVP17K075S	75mm													
DVP20K307S	3-7/16"	3.75	7.98	5.12	9.38	11.25	13.50	3.27	1.88	7/8	3.78	2.06	3.82	47
DVP20K308S	3-1/2"													
DVP20K090S	90mm													
DVP22R315S	3-15/16"	4.25	8.69	5.71	10.06	12.50	14.25	3.96	1.50	1	4.20	2.22	4.13	57
DVP22R400S	4"													
DVP22R100S	100mm													

- Modifying a fixed bearing to a floating bearing is done by adjusting the bearing nut.  
Reverse the nut by one revolution to achieve recommended end float. See Page 66

# DV Series - DVPF 4-Bolt Tapered Adapter Mount Pillow Block

## Self aligning double row spherical roller bearing



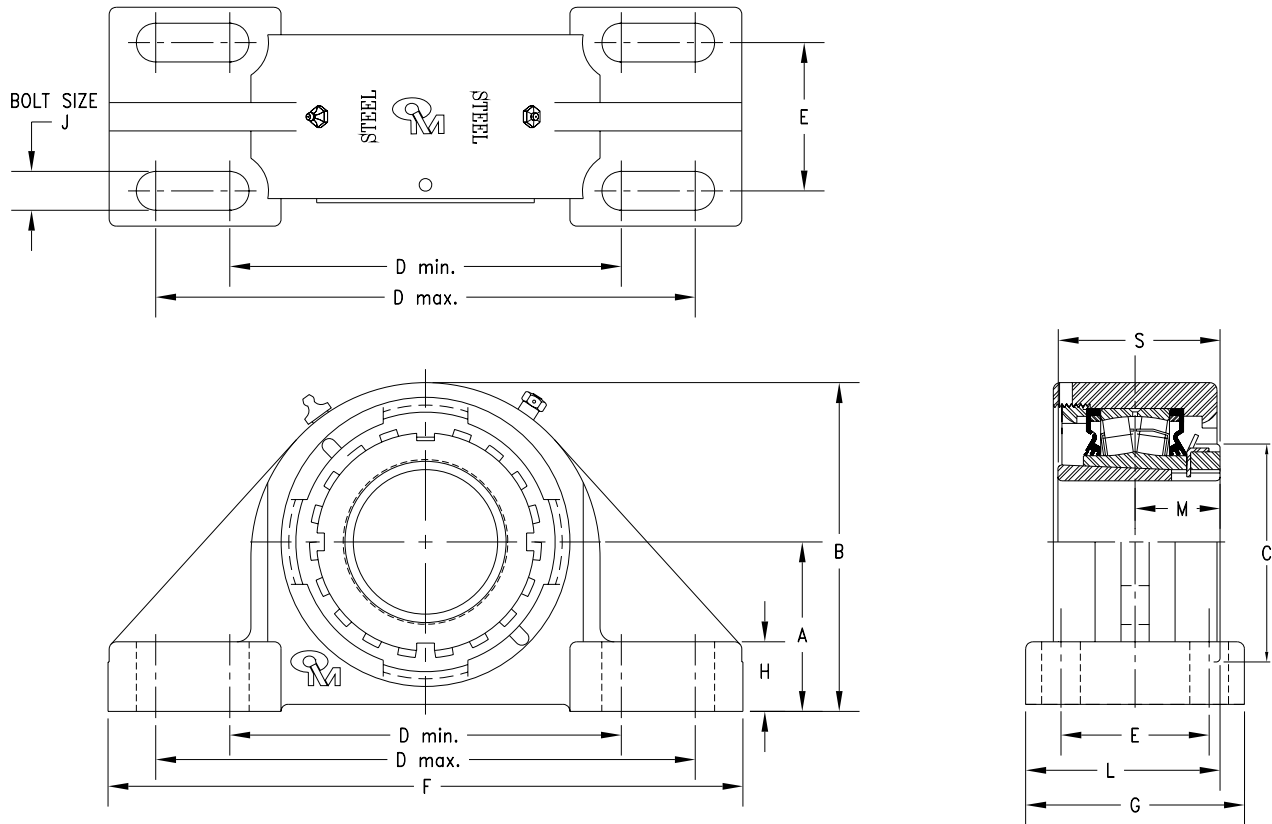
Our steel housings are *Guaranteed* for life against breakage

Bearing Part #	Bore	A	B	C	D min	D max	E	F	G	H	J	L	M	R	S	Lbs.
DVPF17K215S	2-15/16"	3.25	6.38	4.33	7.60	9.10	1.88	10.44	3.13	1.29	5/8	3.93	1.72	0.13	3.23	46
DVPF17K300S	3"															
DVPF17K075S	75mm															
DVPF20K307S	3-7/16"	3.75	7.60	5.12	8.88	10.88	2.00	12.30	3.75	1.56	3/4	4.47	2.06	0.06	3.82	60
DVPF20K308S	3-1/2"															
DVPF20K090S	90mm															
DVPF22R315S	3-15/16"	4.25	8.56	5.71	10.90	13.38	2.25	14.88	4.31	1.40	3/4	5.12	2.22	0.32	4.13	75
DVPF22R400S	4"															
DVPF22R100S	100mm															
DVPF26R407S	4-7/16"	4.75	9.50	6.50	11.90	14.50	2.50	16.13	4.75	1.58	3/4	6.04	2.56	0.50	5.10	127
DVPF26R408S	4-1/2"															
DVPF26R115S	115mm															

- Modifying a fixed bearing to a floating bearing is done by adjusting the bearing nut.  
Reverse the nut by one revolution to achieve recommended end float. See Page 66

# TA Series - TAPK 4-Bolt Tapered Adapter Mount Pillow Block

## Self aligning double row spherical roller bearing



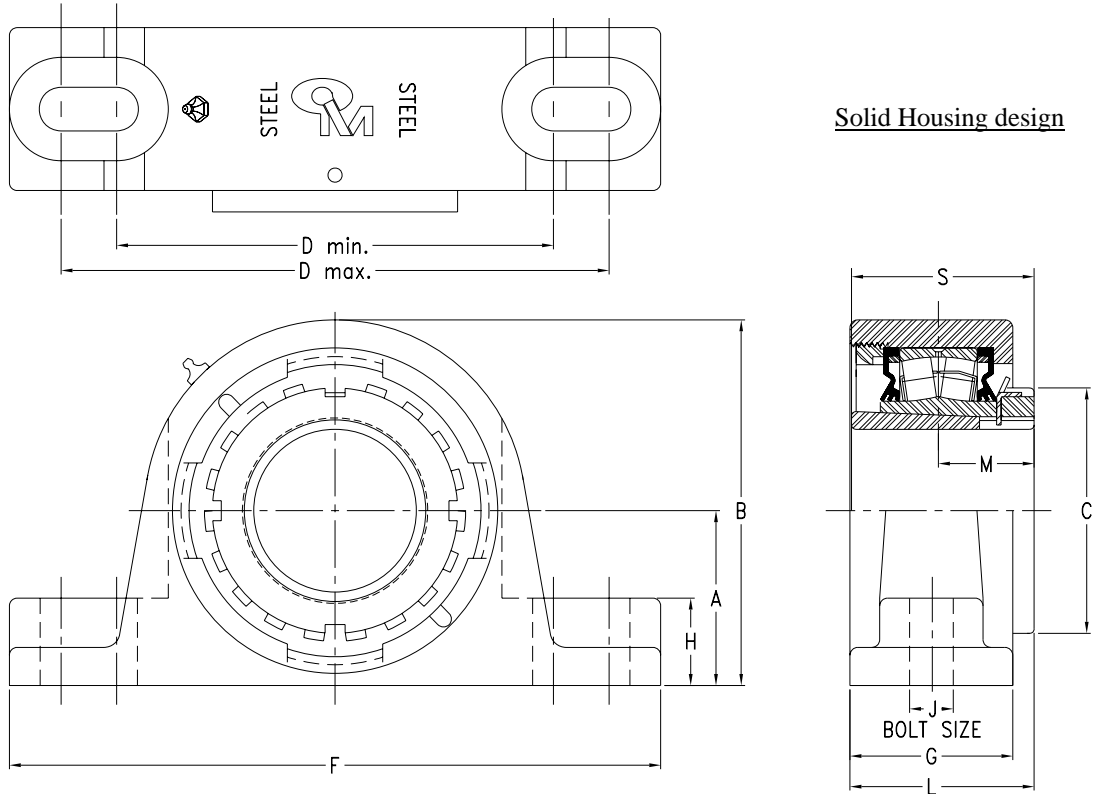
Our steel housings are *Guaranteed* for life against breakage

Bearing Part #	Bore	A	B	C	D min	D max	E	F	G	H	J	L	M	S	Lbs.
TAPK15K207S	2-7/16"	3.50	6.83	3.86	9.06	10.44	2.75	13.00	4.25	1.54	3/4	3.78	1.54	2.87	24
TAPK15K208S	2-1/2"														
TAPK15K065S	65mm														
TAPK17K215S	2 -15/16"	4.00	7.92	4.33	10.81	12.19	3.00	15.00	4.75	1.50	3/4	4.02	1.72	3.23	32
TAPK17K300S	3"														
TAPK17K075S	75mm														
TAPK20K307S	3-7/16"	5.00	9.44	5.12	12.50	14.00	3.50	16.75	5.50	1.63	7/8	4.83	2.06	3.82	60
TAPK20K308S	3-1/2"														
TAPK20K090S	90mm														
TAPK22R315S	3-15/16"	5.75	10.73	5.71	13.94	15.56	4.00	18.50	6.25	1.80	1	5.61	2.22	4.13	77
TAPK22R400S	4"														
TAPK22R100S	100mm														
TAPK26R407S	4-7/16"	6.125	11.15	6.50	15.25	16.75	4.25	20.25	6.75	2.00	1	5.93	2.56	4.76	126
TAPK26R408S	4-1/2"														
TAPK26R115S	115mm														

- Modifying a fixed bearing to a floating bearing is done by adjusting the bearing nut.  
Reverse the nut by one revolution to achieve recommended end float. See Page 66

# TA Series - SAF 2-Bolt Tapered Adapter Mount Pillow Block

## Self aligning double row spherical roller bearing



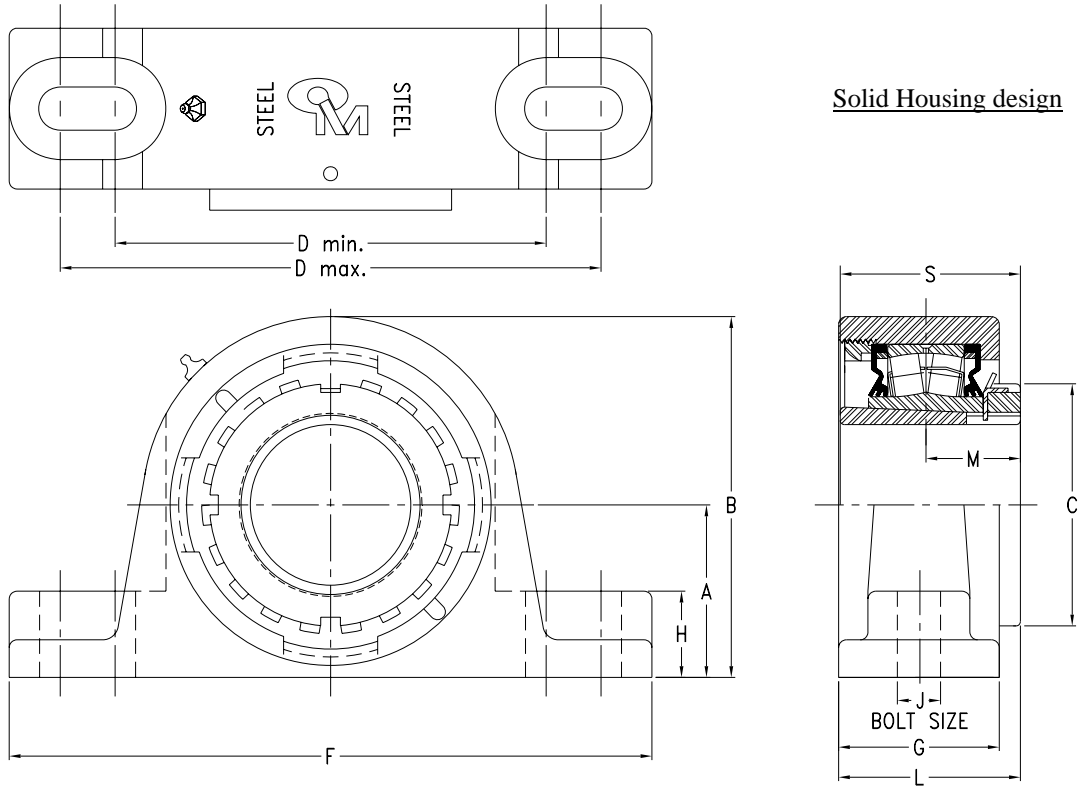
Our steel housings are *Guaranteed* for life against breakage

Bearing Part #	Bore	A	B	C	D Min	D Max	F	G	H	J	L	M	S	Lbs.
TAPA11K115S	1-15/16"	2.75	5.09	2.95	6.50	8.70	9.88	2.70	1.25	5/8	2.59	1.24	2.32	14
TAPA11K200S	2"													
TAPA11K050S	50mm													
TAPA13K203S	2-3/16"	3.00	5.82	3.35	7.20	9.20	10.31	2.69	1.23	5/8	2.85	1.47	2.56	20
TAPA13K204S	2-1/4"													
TAPA13K060S	60mm													
TAPA15K207S	2-7/16"	3.25	6.38	3.86	7.88	9.63	10.88	2.69	1.35	5/8	2.89	1.54	2.87	22
TAPA15K208S	2-1/2"													
TAPA15K065S	65mm													
TAPA17K215S	2-15/16"	3.75	7.20	4.33	9.50	11.00	12.63	3.00	1.33	3/4	3.23	1.72	3.23	28
TAPA17K300S	3"													
TAPA17K075S	75mm													
TAPA20K307S	3-7/16"	4.50	8.45	5.12	10.88	12.88	14.50	3.30	1.63	7/8	3.79	2.06	3.82	55
TAPA20K308S	3-1/2"													
TAPA20K090S	90mm													
TAPA22R315S	3-15/16"	4.94	9.38	5.71	12.50	14.50	16.00	3.96	2.00	7/8	4.21	2.22	4.13	74
TAPA22R400S	4"													
TAPA22R100S	100mm													
TAPA26R407S	4-7/16"	6.00	11.53	6.50	14.25	15.75	17.50	5.04	2.04	1	5.08	2.56	4.76	126
TAPA26R408S	4-1/2"													
TAPA26R115S	115mm													

- Modifying a fixed bearing to a floating bearing is done by adjusting the bearing nut.  
Reverse the nut by one revolution to achieve recommended end float. See Page 66

# TA Series - SN 2-Bolt Tapered Adapter Mount Pillow Block

## Self aligning double row spherical roller bearing



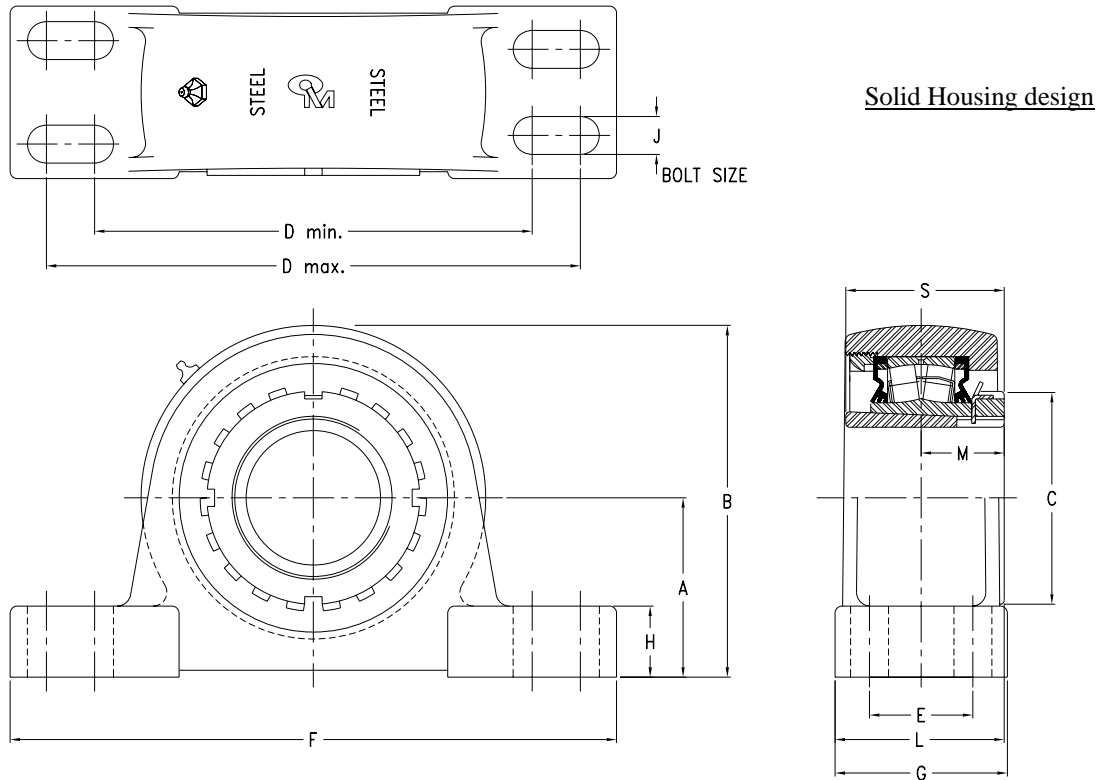
Our steel housings are *Guaranteed* for life against breakage

Bearing Part #	Bore	A	B	C	D Min	D Max	F	G	H	J	L	M	S	Lbs.
TAPN11K115S	1-15/16"	2.750	5.09	2.95	6.50	8.70	9.88	2.70	1.25	5/8	2.59	1.24	2.32	14
TAPN11K200S	2"													
TAPN11K050S	50mm													
TAPN13K203S	2-3/16"	3.150	5.97	3.35	7.20	9.20	10.31	2.69	1.38	5/8	2.85	1.47	2.56	20
TAPN13K204S	2-1/4"													
TAPN13K060S	60mm													
TAPN15K207S	2-7/16"	3.150	6.28	3.86	7.88	9.63	10.88	2.69	1.25	5/8	2.89	1.54	2.87	22
TAPN15K208S	2-1/2"													
TAPN15K065S	65mm													
TAPN17K215S	2-15/16"	3.740	7.19	4.33	9.50	11.00	12.63	3.00	1.34	3/4	3.23	1.72	3.23	28
TAPN17K300S	3"													
TAPN17K075S	75mm													
TAPN20K307S	3-7/16"	4.409	8.36	5.12	10.88	12.88	14.50	3.30	1.53	7/8	3.79	2.06	3.82	55
TAPN20K308S	3-1/2"													
TAPN20K090S	90mm													
TAPN22R315S	3-15/16"	4.921	9.36	5.71	12.50	14.50	16.00	3.96	2.00	7/8	4.21	2.22	4.13	74
TAPN22R400S	4"													
TAPN22R100S	100mm													
TAPN26R407S	4-7/16"	5.906	11.43	6.50	14.46	15.75	17.50	5.04	1.94	1	5.08	2.56	4.76	126
TAPN26R408S	4-1/2"													
TAPN26R115S	115mm													

- Modifying a fixed bearing to a floating bearing is done by adjusting the bearing nut.  
Reverse the nut by one revolution to achieve recommended end float. See Page 66

# TA Series - SAF 4-Bolt Tapered Adapter Mount Pillow Block

## Self aligning double row spherical roller bearing



Our steel housings are *Guaranteed* for life against breakage

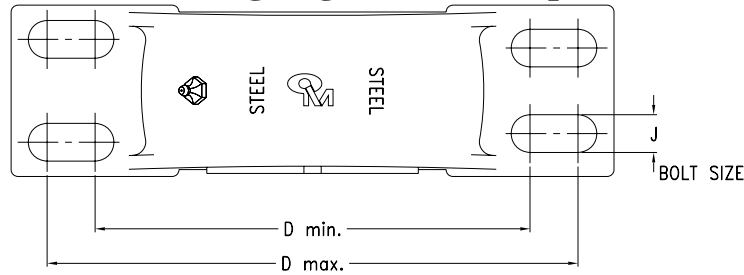
Bearing Part #	Bore	A	B	C	D Min	D Max	E	F	G	H	J	L	M	S	Lbs.
TAPH11K115S	1-15/16"	2.75	5.15	2.95	**	**	**	9.88	2.72	1.25	5/8	2.59	1.24	2.32	16
TAPH11K200S	2"														
TAPH11K050S	50 mm														
TAPH13K203S	2-3/16"	3.00	5.82	3.35	**	**	**	10.31	3.25	1.23	5/8	2.72	1.47	2.56	22
TAPH13K204S	2-1/4"														
TAPH13K060S	60 mm														
TAPH15K207S	2-7/16"	3.25	6.38	3.86	7.94	9.69	1.88	10.85	3.13	1.29	5/8	3.10	1.54	2.87	24
TAPH15K208S	2-1/2"														
TAPH15K065S	65 mm														
TAPH17K215S	2-15/16"	3.75	7.20	4.33	9.44	11.31	2.06	12.63	3.63	1.26	3/4	3.54	1.72	3.23	32
TAPH17K300S	3"														
TAPH17K075S	75 mm														
TAPH20K307S	3-7/16"	4.50	8.54	5.12	10.88	13.38	2.38	15.00	4.31	1.65	3/4	4.25	2.06	3.82	60
TAPH20K308S	3-1/2"														
TAPH20K090S	90 mm														
TAPH22R315S	3-15/16"	4.94	9.38	5.71	11.88	14.50	2.75	16.00	4.75	1.77	3/4	4.60	2.22	4.13	77
TAPH22R400S	4"														
TAPH22R100S	100 mm														
TAPH26R407S	4-7/16"	6.00	11.18	6.50	14.75	15.75	3.25	17.50	5.04	2.04	1	5.08	2.56	4.76	126
TAPH26R408S	4-1/2"														
TAPH26R115S	115 mm														

\*\* Bolt centers 'D min / D max' and 'E' to be determined by customer at time of order

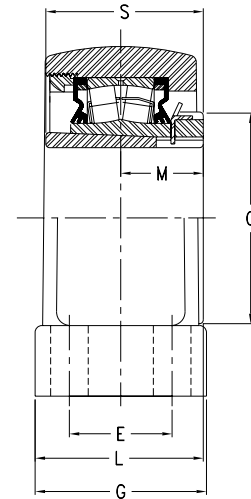
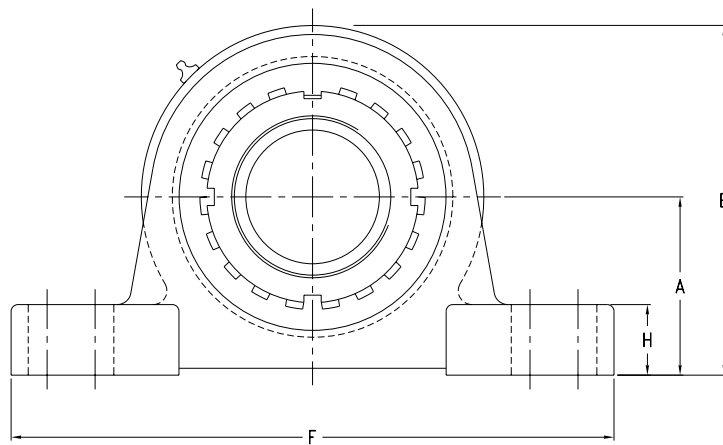
- Modifying a fixed bearing to a floating bearing is done by adjusting the bearing nut.  
Reverse the nut by one revolution to achieve recommended end float. See Page 66

# TA Series - SN 4-Bolt Tapered Adapter Mount Pillow Block

## Self aligning double row spherical roller bearing



Solid Housing design

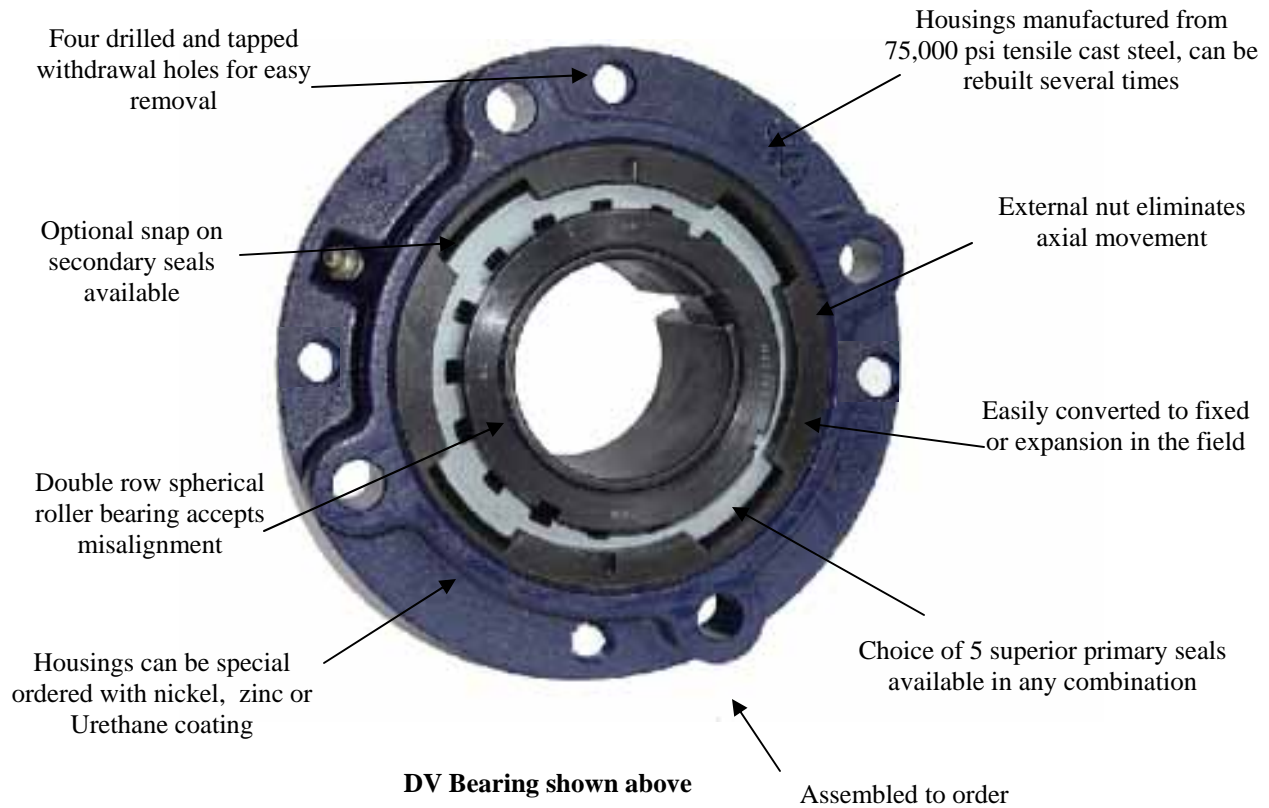


Our steel housings are *Guaranteed* for life against breakage

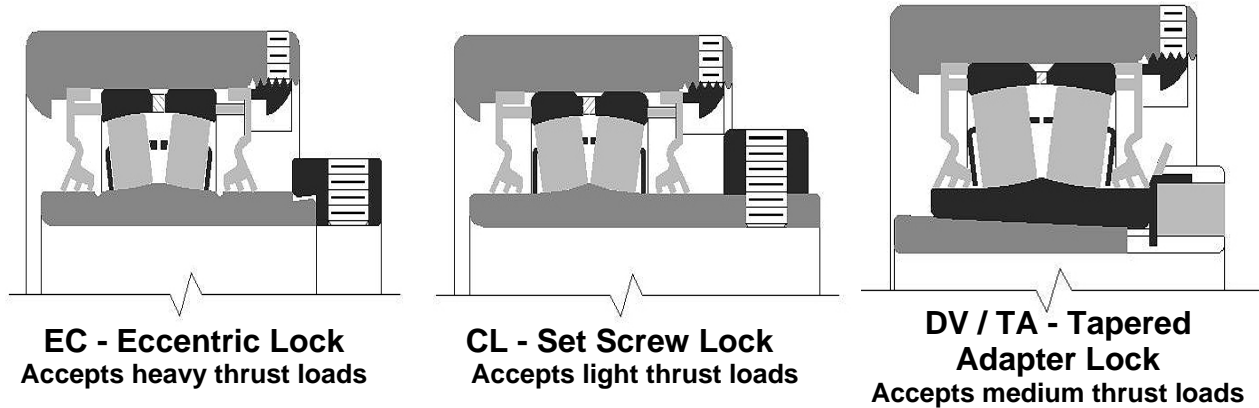
Bearing Part #	Bore	A	B	C	D Min	D Max	E	F	G	H	J	L	M	S	Lbs.
TAPG11K115S	1-15/16"														
TAPG11K200S	2"	2.75	5.10	2.95	7.18	8.56	1.57	9.88	2.70	1.25	5/8	2.59	1.24	2.32	16
TAPG11K050S	50mm														
TAPG13K203S	2-3/16"														
TAPG13K204S	2-1/4"	3.15	5.97	3.35	7.18	8.56	1.89	10.31	3.25	1.38	5/8	2.72	1.47	2.56	22
TAPG13K060S	60mm														
TAPG15K207S	2-7/16"														
TAPG15K208S	2-1/2"	3.15	6.28	3.86	7.94	9.69	1.56	10.85	3.13	1.19	5/8	3.10	1.54	2.87	24
TAPG15K065S	65mm														
TAPG17K215S	2-15/16"														
TAPG17K300S	3"	3.74	7.19	4.33	9.44	11.31	2.06	12.63	3.63	1.25	3/4	3.54	1.72	3.23	32
TAPG17K075S	75mm														
TAPG20K307S	3-7/16"														
TAPG20K308S	3-1/2"	4.409	8.45	5.12	10.88	13.38	2.38	15.00	4.31	1.56	3/4	4.25	2.06	3.82	60
TAPG20K090S	90mm														
TAPG22R315S	3-15/16"														
TAPG22R400S	4"	4.921	9.36	5.71	11.88	14.50	2.75	16.00	4.75	1.75	3/4	4.60	2.22	4.13	77
TAPG22R100S	100mm														
TAPG26R407S	4-7/16"														
TAPG26R408S	4-1/2"	5.906	11.08	6.50	14.75	15.75	3.19	17.50	5.04	1.94	1	5.08	2.56	4.76	126
TAPG26R115S	115 mm														

- Modifying a fixed bearing to a floating bearing is done by adjusting the bearing nut.  
Reverse the nut by one revolution to achieve recommended end float. See Page 66

# Blue Brute® Piloted Flange Cartridge Bearings



**We Guarantee our steel housings for life against breakage.**

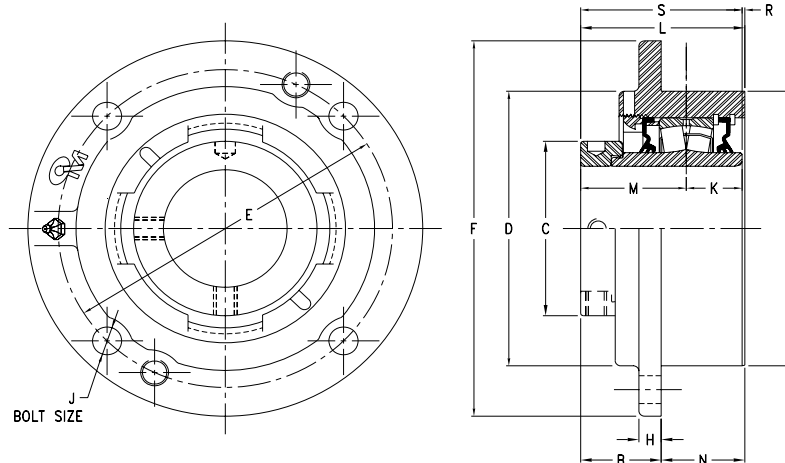


<p><b>EC Series -</b> Eccentric Locking Collar</p> <p>Unsurpassed holding in heavy thrust, reversing or shock loading.</p> <p>We <b>guarantee</b> this bearing will not come loose if installed on a precision ground shaft (see page 60)</p> <p>See pages 31 – 33</p>	<p><b>CL Series -</b> Concentric Locking Collar (set screw lock)</p> <p>Set screw locking 2 set screws @ 60°, provides maximum holding with minimal run out. Knurled point set screws provide positive locking.</p> <p>See pages 34 - 35</p>	<p><b>DV Series -</b> Tapered Adapter Sleeve</p> <p>DV Bearings are a drop in replacement for common American Set-screw mounted units, results in extremely high load capacities compared to any collar mounted unit. Best concentricity for high speeds.</p> <p>See page 36</p>	<p><b>TA Series -</b> Tapered Adapter Sleeve</p> <p>TA Bearings are a direct drop in replacement for SAF/SN split cap housing dimensions. results in superior sealing and integrally robust housing. Best concentricity for high speeds.</p> <p>See page 37</p>
--	--	--	---



# EC Series - QMC Eccentric Lock Flange Cartridge

## Self aligning double row spherical roller bearing



Our steel housings are *Guaranteed* for life against breakage  
 Our eccentric lock is *Guaranteed* not to come loose

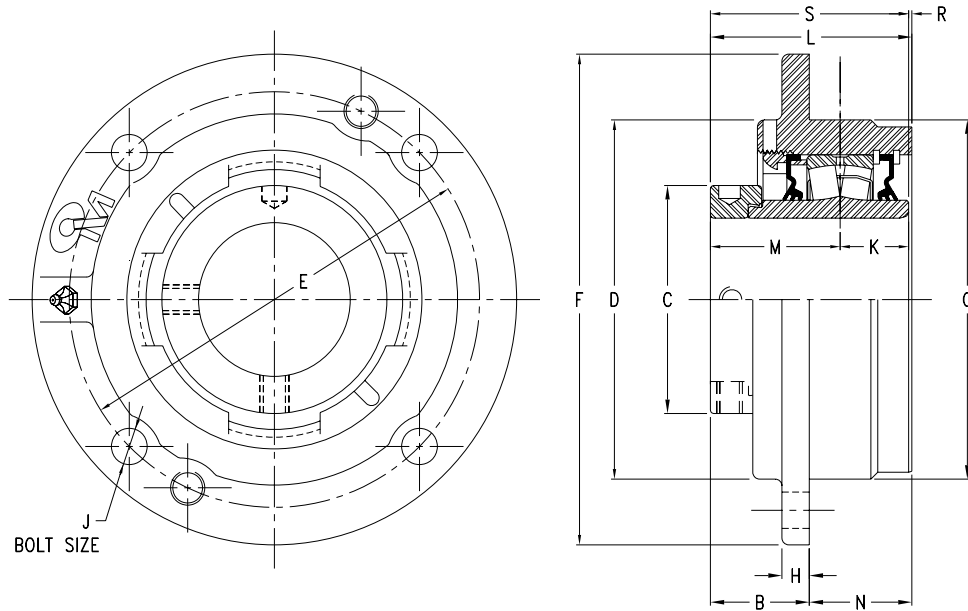
Bearing Part #	Bore	B fixed	B exp.	B.C.	C	D	F	G	H	J	K	L fixed	L exp.	M	N	R	S	Lbs
QMC08J107S	1-7/16"	1.96	2.04	4.38	2.38	3.63	5.25	3.63	0.50	7/16	1.00	2.90	2.98	1.75	0.94	0.15	2.75	8
QMC08J108S	1-1/2"																	
QMC09J040S	40MM	2.15	2.23	5.13	2.63	4.38	6.13	4.250	0.50	7/16	1.00	3.03	3.11	1.88	0.88	0.15	2.88	9
QMC09J111S	1-11/16"																	
QMC09J112S	1-3/4"																	
QMC09J045S	45mm																	
QMC10J115S	1-15/16"	1.99	2.07	5.38	2.76	4.47	6.38	4.500	0.63	7/16	0.98	3.05	3.13	1.89	1.06	0.18	2.87	10
QMC10J200S	2"																	
QMC10J050S	50mm	2.14	2.22	6.00	2.99	5.00	7.30	5.000	0.58	1/2	1.13	3.27	3.35	2.00	1.13	14 0.	3.13	13
QMC11J203S	2-3/16"																	
QMC11J204S	2-1/4"																	
QMC11J055S	55mm	2.38	2.46	6.50	3.62	5.50	7.63	5.500	0.69	1/2	1.24	3.50	3.58	2.15	1.13	0.12	3.39	16
QMC13J060S	60mm																	
QMC13J207S	2-7/16"																	
QMC13J208S	2-1/2"																	
QMC13J065S	65mm	2.46	2.54	7.50	4.01	6.38	8.75	6.375	0.81	5/8	1.25	3.71	3.79	2.37	1.25	0.09	3.62	22
QMC15J211S	2-11/16"																	
QMC15J212S	2-3/4"																	
QMC15J070S	70mm																	
QMC15J215S	2-15/16"																	
QMC15J300S	3"	2.88	2.96	8.63	4.76	7.38	10.34	7.375	1.00	3/4	1.44	4.19	4.27	2.59	1.31	0.16	4.03	32
QMC18J303S	3-3/16"																	
QMC18J304S	3-1/4"																	
QMC18J080S	80mm																	
QMC18J307S	3-7/16"																	
QMC18J308S	3-1/2"																	
QMC18J090S	90mm	2.84	2.92	9.38	6.00	8.13	10.88	8.125	1.00	3/4	1.63	4.96	5.04	2.96	2.13	0.37	4.59	43
QMC20J311S	3-11/16"																	
QMC20J315S	3-15/16"																	
QMC20J400S	4"																	
QMC20J100S	100 mm	3.63	3.71	11.75	6.29	10.00	13.50	10.25	1.00	3/4	1.83	5.54	5.61	3.70	1.90	0.01	5.53	72
QMC22B407S*	4-7/16"																	
QMC22B408S*	4-1/2"																	
QMC22B115S*	115mm																	

\* QMC22 Series housing is a 6 Bolt hole configuration

- Modifying a fixed bearing to a floating bearing is done by adjusting the bearing nut.  
 Reverse the nut by one revolution to achieve recommended end float. See Page 66

# EC Series - QMCW Eccentric Lock Flange Cartridge

## Self aligning double row spherical roller bearing



Our steel housings are **Guaranteed** for life against breakage  
 Our eccentric lock is **Guaranteed** not to come loose

Bearing Part #	Bore	B fixed	B exp.	B.C.	C	D	F	G	H	J	K	L fixed	L exp.	M	N	R	S	Lbs
QMCW08J107S	1-7/16"	1.53	1.60	4.38	2.36	3.63	5.25	3.63	0.50	7/16	1.00	2.90	2.97	1.75	1.38	0.15	2.75	8
QMCW08J108S	1-1/2"																	
QMCW09J040S	40mm	1.43	1.50	5.12	2.63	4.38	6.13	4.250	0.50	7/16	1.0	3.03	3.10	1.88	1.60	0.15	2.88	9
QMCW09J111S	1-11/16"																	
QMCW09J112S	1-3/4"																	
QMCW09J045S	45mm																	
QMCW10J115S	1-15/16"	1.39	1.47	5.38	2.76	4.50	6.38	4.500	0.38	7/16	0.98	2.89	2.97	1.89	1.50	0.02	2.87	10
QMCW10J200S	2"																	
QMCW10J050S	50mm																	
QMCW11J203S	2-3/16"	1.80	1.88	6.00	2.99	4.99	7.13	5.00	0.56	1/2	1.13	3.42	3.50	2.00	1.63	0.30	3.13	13
QMCW11J204S	2-1/4"																	
QMCW11J055S	55mm																	
QMCW13J060S	60mm	1.80	1.88	6.50	3.62	5.50	7.63	5.500	0.50	1/2	1.24	3.55	3.63	2.15	1.75	0.17	3.39	16
QMCW13J207S	2-7/16"																	
QMCW13J208S	2-1/2"																	
QMCW13J065S	65mm																	
QMCW15J211S	2-11/16"	1.81	1.89	7.50	4.01	6.38	8.75	6.375	0.50	5/8	1.25	3.68	3.76	2.37	1.88	0.06	3.62	22
QMCW15J212S	2-3/4"																	
QMCW15J070S	70mm																	
QMCW15J215S	2-15/16"																	
QMCW15J300S	3"																	
QMCW15J075S	75mm																	
QMCW18J303S	3-3/16"	2.46	2.54	8.63	4.76	7.38	10.25	7.375	0.88	3/4	1.44	4.34	4.42	2.59	1.88	0.31	4.03	32
QMCW18J304S	3-1/4"																	
QMCW18J080S	80mm																	
QMCW18J307S	3-7/16"																	
QMCW18J308S	3-1/2"																	
QMCW18J090S	90mm																	

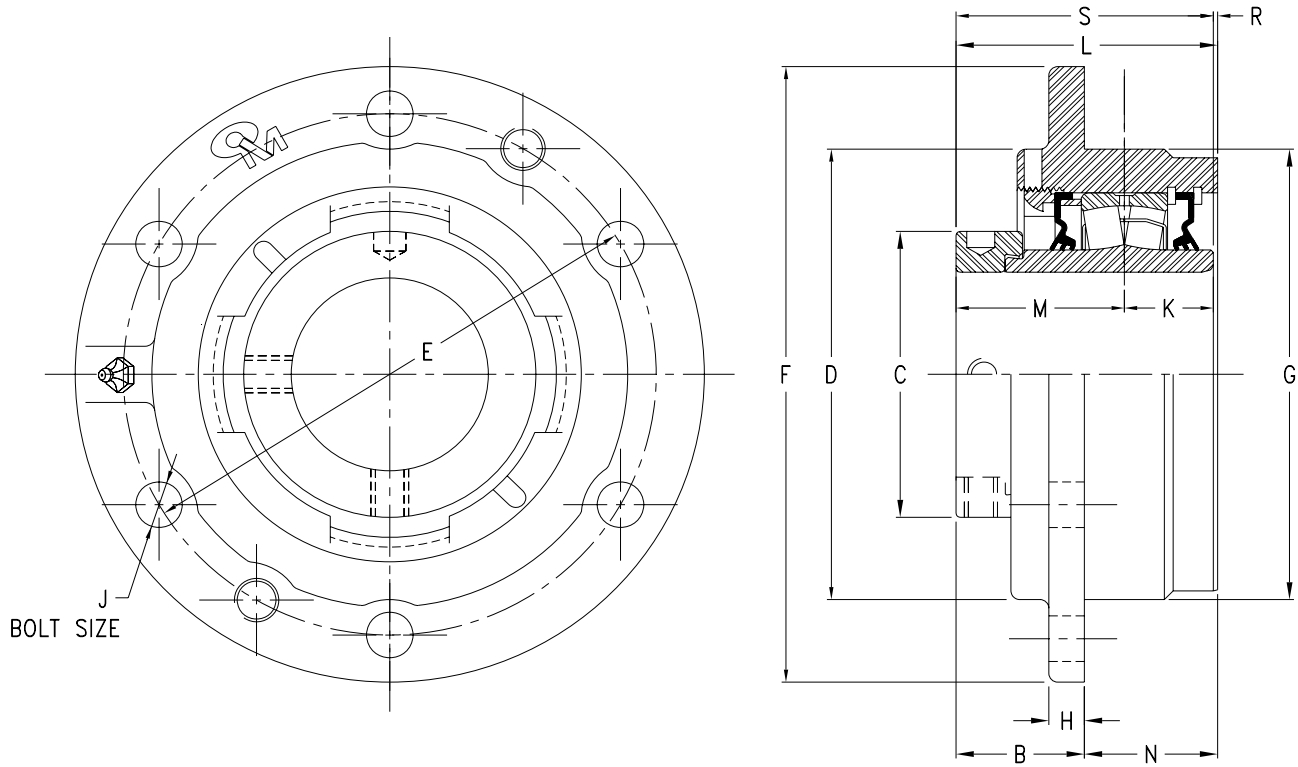
Continued on next page.....

- Modifying a fixed bearing to a floating bearing is done by adjusting the bearing nut.  
 Reverse the nut by one revolution to achieve recommended end float. See Page 66

# EC Series - QMCW Eccentric Lock Flange Cartridge

## Self aligning double row spherical roller bearing

### 6 - Hole Bolt Pattern 4-7/16 and up



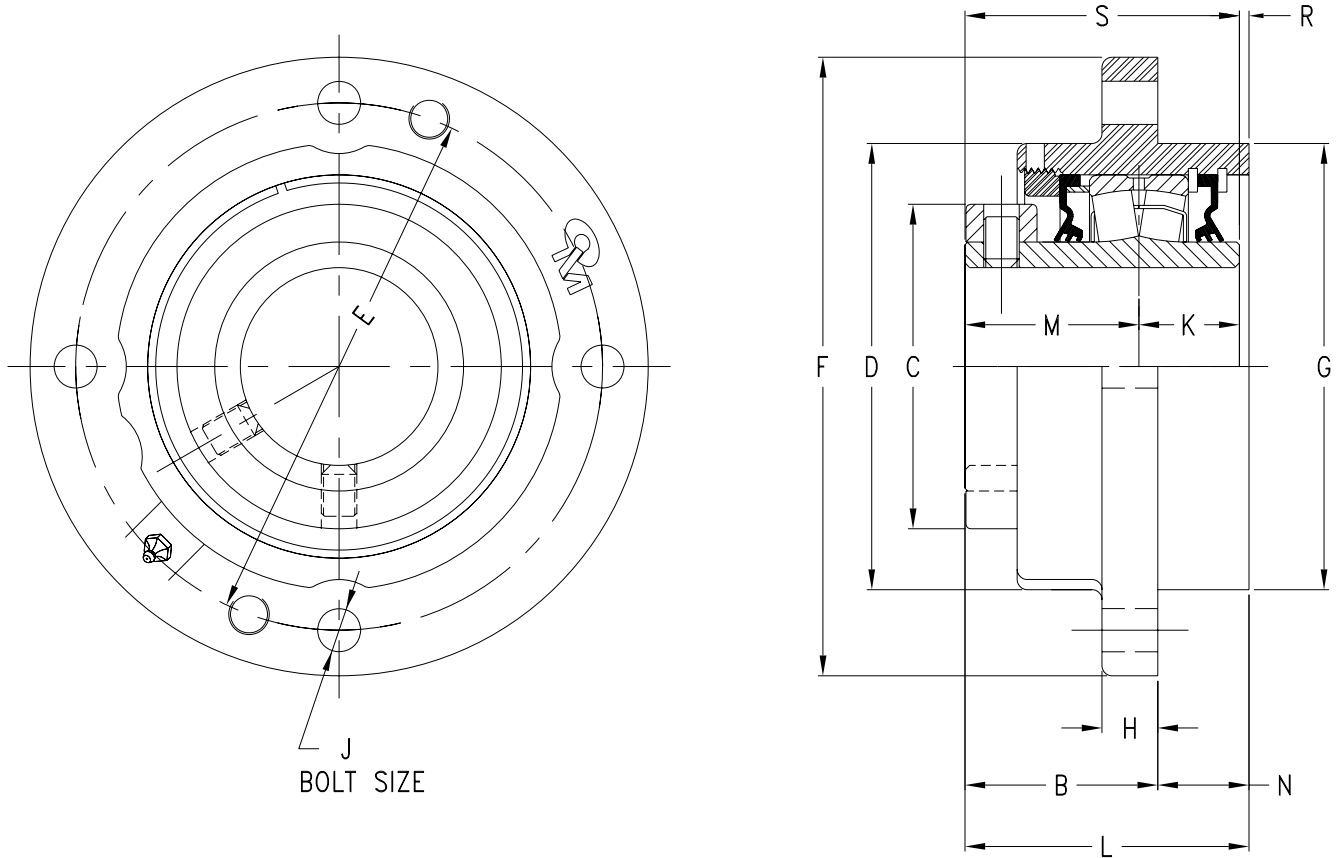
Our steel housings are **Guaranteed** for life against breakage  
Our eccentric lock is **Guaranteed** not to come loose

	Bearing Part #	Bore	B fixed	B exp.	B.C.	C	D	F	G	H	J	K	L fixed	L exp.	M	N	R	S	Lbs
4 Hole cont.	QMCW20J311S	3-11/16"	2.50	2.58	9.38	6.00	8.13	10.88	8.125	1.00	3/4	1.63	4.75	4.83	2.96	2.25	0.16	4.59	43
	QMCW20J315S	3-15/16"																	
	QMCW20J400S	4"																	
	QMCW20J100S	100mm																	
6 Hole Follows	QMCW22B407S	4-7/16"-	3.01	3.09	11.75	6.29	10.00	13.50	10.25	1.00	3/4	1.83	5.70	5.78	3.70	2.69	0.17	5.53	72
	QMCW22B408S	4-1/2"																	
	QMCW22B115S	115mm																	
	QMCW26B415S	4-15/16"	2.90	2.98	12.75	6.88	10.50	14.75	11.00	1.03	7/8	2.31	5.96	6.02	3.72	3.065	0.07	6.03	102
	QMCW26B500S	5"																	
	QMCW26B130S	130mm																	
	QMCW30B507S	5-7/16"	3.26	3.34	14.50	8.07	12.00	17.00	13.00	1.03	7/8	2.99	8.04	8.12	4.57	4.78	0.48	7.56	226
	QMCW30B508S	5-1/2"																	
	QMCW30B140S	140mm																	
	QMCW30B515S	5-15/16"	3.26	3.34	16.50	8.07	12.00	19.00	14.00	1.03	7/8	2.99	8.32	8.40	4.57	5.06	0.76	7.56	224
	QMCW30B600S	6"																	
	QMCW30B150S	150mm																	

- Modifying a fixed bearing to a floating bearing is done by adjusting the bearing nut.  
Reverse the nut by one revolution to achieve recommended end float. See Page 66

# CL Series - QAC Concentric Lock Flange Cartridge

## Self aligning double row spherical roller bearing



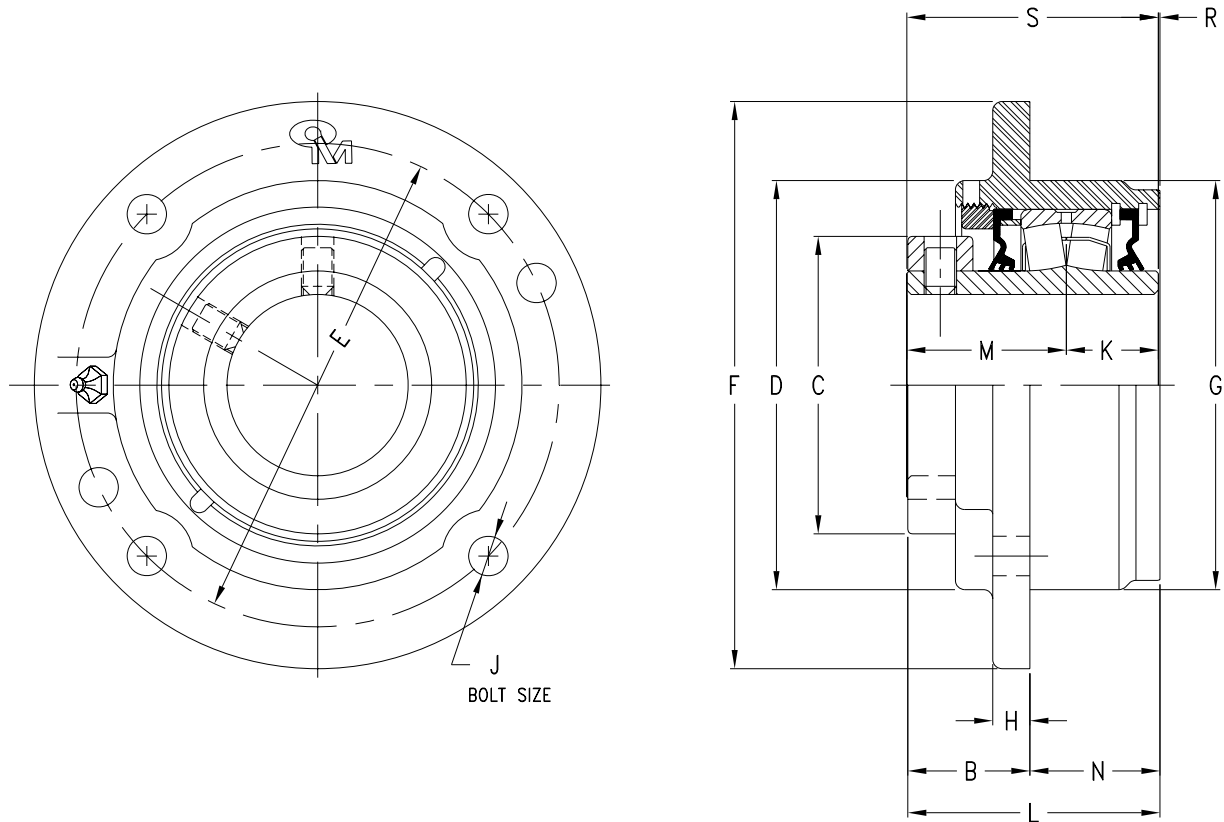
Our steel housings are *Guaranteed* for life against breakage

Bearing Part #	Bore	B fixed	B exp.	B.C.	C	D	F	G	H	J	K	L fixed	L exp	M	N	R	S	Lbs
QAC10A115S	1-15/16"	1.99	2.07	5.375	2.88	4.47	6.38	4.500	0.63	7/16	0.98	3.05	3.13	1.89	1.06	0.18	2.87	10
QAC10A200S	2"																	
QAC10A050S	50mm																	
QAC11A203S	2-3/16"	2.14	2.22	6.000	3.25	5.00	7.30	5.000	0.58	1/2	1.13	3.27	3.35	2.00	1.13	0.14	3.13	13
QAC11A204S	2-1/4"																	
QAC13A207S	2-7/16"																	
QAC13A208S	2-1/2"	2.38	2.46	6.500	4.00	5.50	7.63	5.500	0.69	1/2	1.24	3.50	3.58	2.15	1.13	0.12	3.39	16
QAC13A065S	65mm																	
QAC15A215S	2-15/16"																	
QAC15A300S	3"	2.46	2.54	7.500	4.50	6.38	8.75	6.375	0.81	5/8	1.25	3.89	3.97	2.37	1.25	0.09	3.62	22
QAC15A075S	75mm																	
QAC18A307S	3-7/16"																	
QAC18A308S	3-1/2"	2.88	2.96	8.625	5.13	7.38	10.34	7.375	1.00	3/4	1.44	4.19	4.27	2.59	1.31	0.16	4.03	32
QAC18A090S	90mm																	
QAC20A315S	3-15/16"																	
QAC20A400S	4"	2.84	2.92	9.380	6.00	8.13	10.88	8.125	1.00	3/4	1.63	4.96	5.04	2.97	2.13	0.37	4.59	43
QAC20A100S	100mm																	

- Modifying a fixed bearing to a floating bearing is done by adjusting the bearing nut.  
Reverse the nut by one revolution to achieve recommended end float. See Page 67

# CL Series - QACW Concentric Lock Flange Cartridge

## Self aligning double row spherical roller bearing



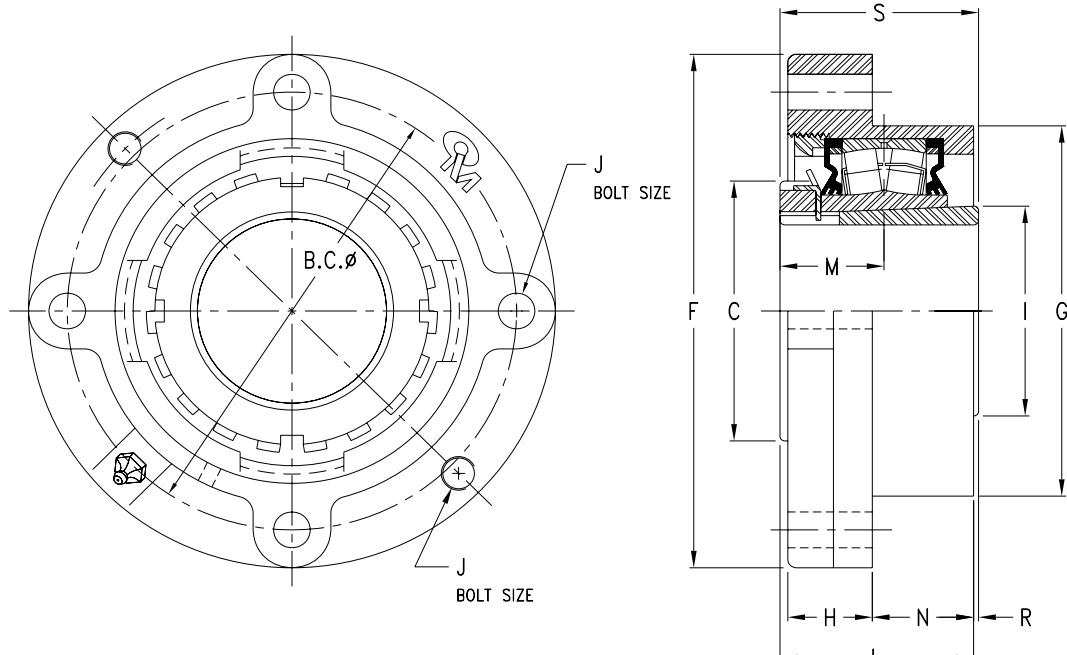
Our steel housings are *Guaranteed* for life against breakage

Bearing Part #	Bore	B	B	B.C.	C	D	F	G	H	J	K	L	L	M	N	R	S	Lbs
		fixed	exp										fixed	exp				
QACW10A115S	1-15/16"	1.39	1.47	5.38	2.88	4.50	6.38	4.50	0.38	7/16	0.98	2.89	2.97	1.89	1.50	0.02	2.87	10
QACW10A200S	2"																	
QACW10A050S	50mm																	
QACW11A203S	2-3/16"	1.80	1.88	6.00	3.25	4.99	7.13	5.00	0.56	1/2	1.13	3.42	3.50	2.00	1.63	0.30	3.13	13
QACW11A204S	2-1/4"																	
QACW13A207S	2-7/16"	1.80	1.88	6.50	4.00	5.50	7.63	5.50	0.50	1/2	1.24	3.55	3.63	2.15	1.75	0.17	3.39	16
QACW13A208S	2-1/2"																	
QACW13A065S	65mm																	
QACW15A215S	2-15/16"	1.81	1.89	7.50	4.50	6.38	8.75	6.38	0.50	5/8	1.25	3.68	3.76	2.37	1.88	0.06	3.62	22
QACW15A300S	3"																	
QACW15A075S	75mm																	
QACW18A307S	3-7/16"	2.46	2.54	8.63	5.13	7.38	10.25	7.38	0.88	3/4	1.44	4.34	4.42	2.59	1.88	0.31	4.03	32
QACW18A308S	3-1/2"																	
QACW18A090S	90mm																	
QACW20A315S	3-15/16"	2.50	2.58	9.38	6.00	8.13	10.88	8.13	1.00	3/4	1.63	4.75	4.83	2.97	2.25	0.16	4.59	43
QACW20A400S	4"																	
QACW20A100S	100mm																	

- Modifying a fixed bearing to a floating bearing is done by adjusting the bearing nut. Reverse the nut by one revolution to achieve recommended end float. See Page 67

# TA Series - DVC Tapered Adapter Mount Flange Cartridge

## Self aligning double row spherical roller bearing



Our steel housings are *Guaranteed* for life against breakage

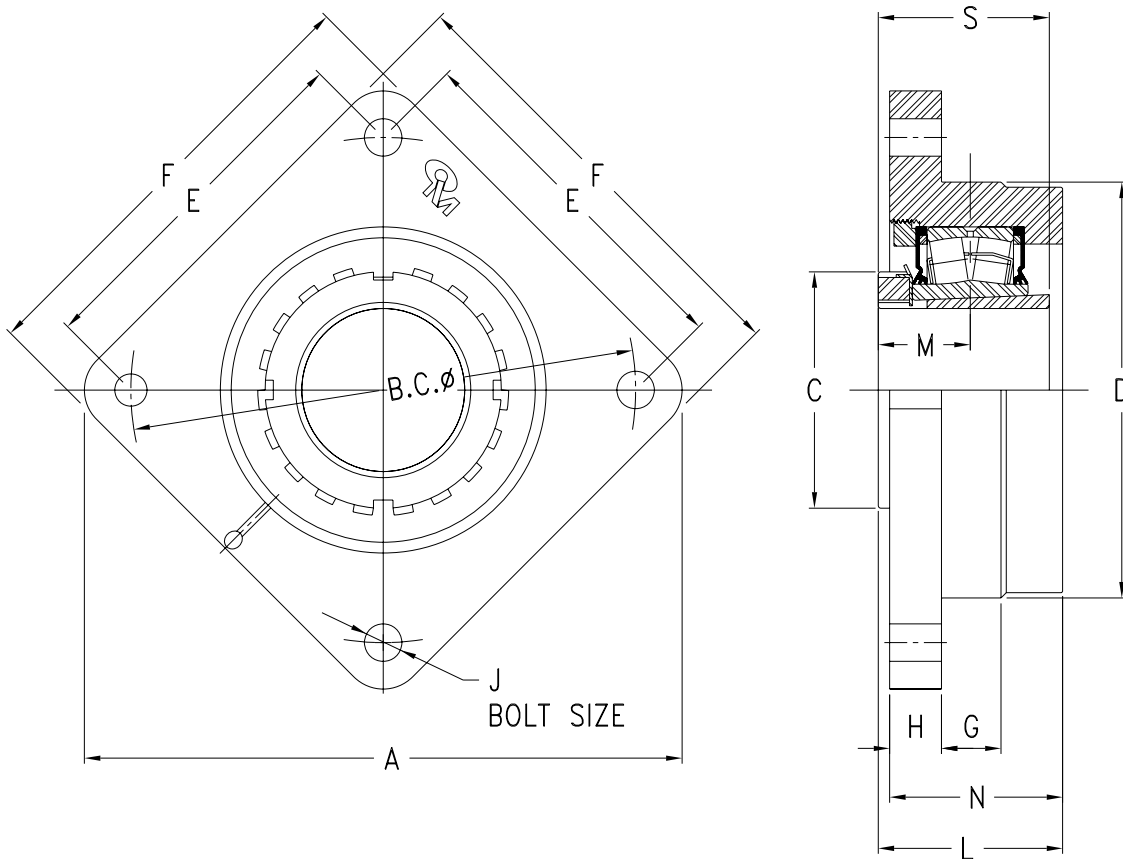
Bearing Part #	Bore	B.C.	C	F	G	H	I	J	L	M	N	R	S	Lbs
DVC11K115S	1-15/16"	5.38	2.95	6.38	4.500	1.24	2.45	7/16	2.39	1.24	1.00	-0.06	2.32	11
DVC11K200S	2"													
DVC11K050S	50mm													
DVC13K203S	2-3/16"	6.00	3.35	7.13	5.000	1.47	2.84	1/2	2.55	1.47	1.00	0.01	2.56	16
DVC13K204S	2-1/4"													
DVC13K060S	60mm													
DVC15K207S	2-7/16"	6.50	3.86	7.63	5.500	1.27	3.11	1/2	2.59	1.54	1.25	0.29	2.87	18
DVC15K208S	2-1/2"													
DVC15K065S	65mm													
DVC17K215S	2-15/16"	7.50	4.33	8.75	6.375	1.28	3.55	5/8	2.90	1.72	1.38	0.33	3.23	25
DVC17K300S	3"													
DVC17K075S	75mm													
DVC20K307S	3-7/16"	8.63	5.12	10.25	7.375	1.62	4.18	3/4	3.41	2.06	1.38	0.41	3.82	37
DVC20K308S	3-1/2"													
DVC20K090S	90mm													
DVC22R315S	3-15/16"	9.38	5.71	10.88	8.125	1.88	4.60	3/4	3.74	2.22	1.50	0.39	4.13	52
DVC22R400S	4"													
DVC22R100S	100mm													
*DVC26R407S	4-7/16"	11.75	6.50	13.50	10.25	1.85	5.43	3/4	4.33	2.56	1.90	0.43	4.76	76
*DVC26R408S	4-1/2"													
*DVC26R115S	115mm													

\* 6 bolt

Modifying a fixed bearing to a floating bearing is done by adjusting the bearing nut. Reverse the nut by one revolution to achieve recommended end float. See Page 66

# TA Series - TAFC Tapered Adapter Mount Flange Cartridge

## Self aligning double row spherical roller bearing

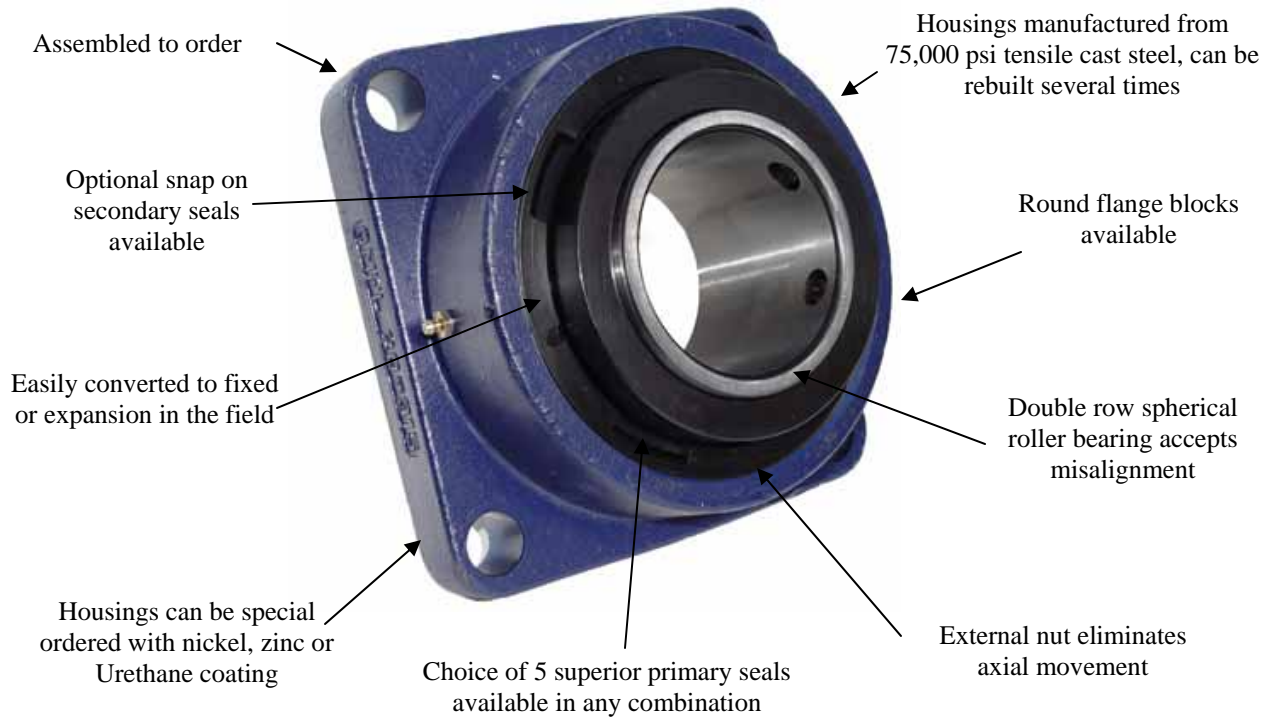


Our housings are *Guaranteed* for life against breakage

Bearing Part #	Bore	A	B.C.	C	D	E	F	G	H	J	M	N	S	Lbs
TAFC15K207S	2-7/16"	10.04	8.47	3.86	6.69	6.00	7.56	1.00	0.94	5/8	1.50	2.55	2.88	25
TAFC15K208S	2-1/2"													
TAFC15K065S	65mm													
TAFC17K215S	2-15/16"	11.12	9.45	4.33	7.48	6.68	8.35	1.00	1.00	5/8	1.72	2.75	3.23	30
TAFC17K300S	3"													
TAFC17K075S	75mm													
TAFC20K307S	3-7/16"	13.00	11.02	5.12	9.06	7.79	9.76	1.25	1.13	3/4	2.06	3.71	3.82	40
TAFC20K308S	3-1/2"													
TAFC20K090S	90mm													
TAFC22R315S	3-15/16"	14.45	12.20	5.71	10.04	8.63	11.00	1.75	1.04	3/4	2.22	3.98	4.13	60
TAFC22R400S	4"													
TAFC22R100S	100mm													
TAFC26R407S	4-7/16"	16.38	13.98	6.50	11.42	9.88	11.25	1.65	1.26	3/4	2.50	6.06	6.57	94
TAFC26R408S	4-1/2"													
TAFC26R115S	115mm													

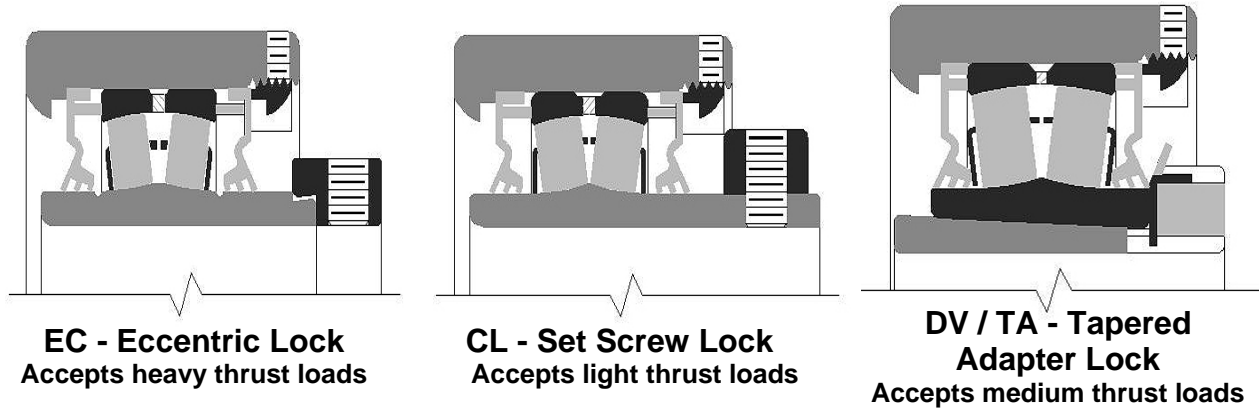
- Modifying a fixed bearing to a floating bearing is done by adjusting the bearing nut.  
Reverse the nut by one revolution to achieve recommended end float. See Page 66

# Blue Brute® Flange Block Bearings



CA Bearing shown above

**We Guarantee our steel housings for life against breakage.**

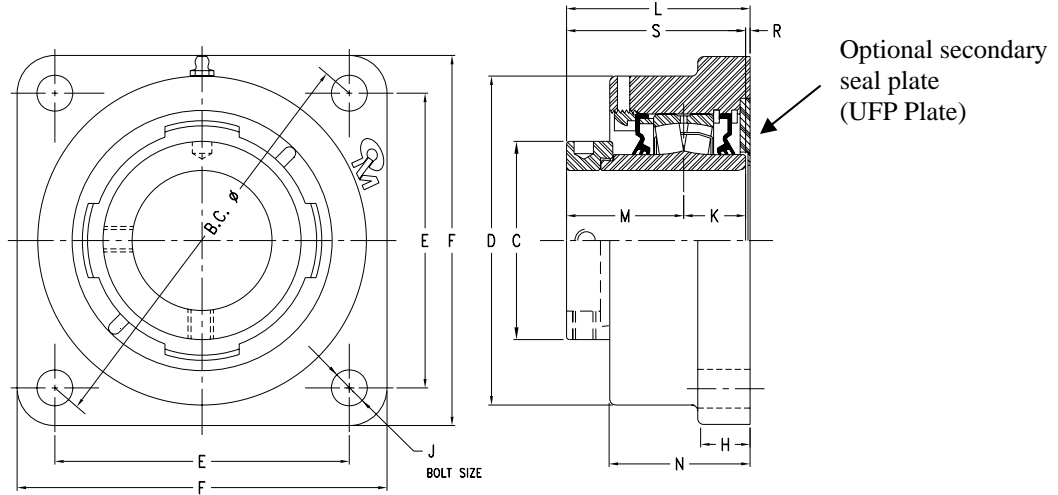


<p><b>EC Series -</b> Eccentric Locking Collar</p> <p>Unsurpassed holding in heavy thrust, reversing or shock loading.</p> <p>We <b>guarantee</b> this bearing will not come loose if installed on a precision ground shaft (see page 60)</p> <p>See pages 39 - 41</p>	<p><b>CL Series -</b> Concentric Locking Collar (set screw lock)</p> <p>Set screw locking 2 set screws @ 60°, provides maximum holding with minimal run out. Knurled point set screws provide positive locking.</p> <p>See pages 42 - 44</p>	<p><b>DV Series -</b> Tapered Adapter Sleeve</p> <p>DV Bearings are a drop in replacement for common American Set-screw mounted units, results in extremely high load capacities compared to any collar mounted unit. Best concentricity for high speeds.</p> <p>See page 45</p>	<p><b>TA Series -</b> Tapered Adapter Sleeve</p> <p>TA Bearings are a direct drop in replacement for SAF/SN split cap housing dimensions results in superior sealing and integrally robust housing. Best concentricity for high speeds.</p> <p>See page 46</p>
--	--	--	--



# EC Series - QMF 4-Bolt Eccentric Lock Square Flange Block

## Self aligning double row spherical roller bearing



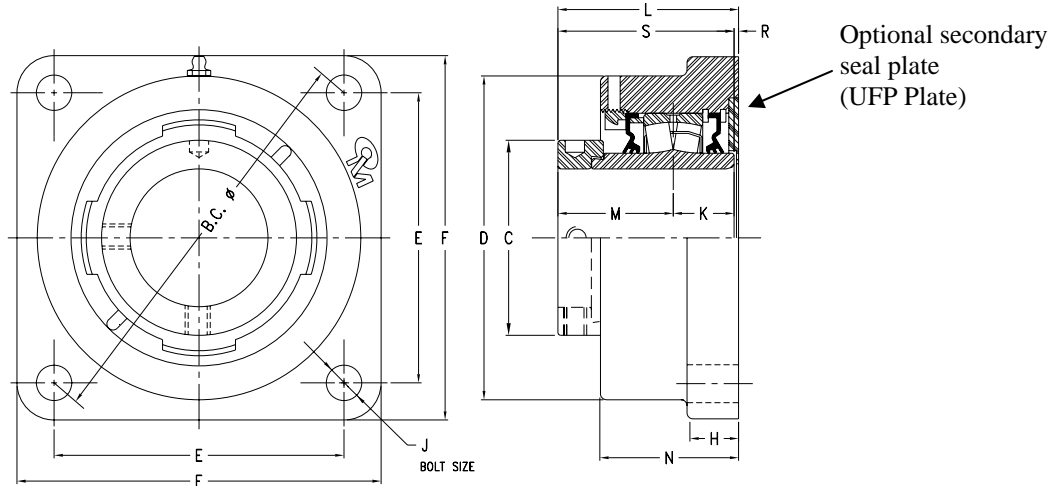
Our steel housings are *Guaranteed* for life against breakage  
 Our eccentric lock is *Guaranteed* not to come loose

Bearing Part #	Bore	C	D	E	B.C.	F	H	J	K	L fixed	L exp	M	N	R	S	Lbs
QMF08J107S	1-7/16"	2.38	3.69	3.50	4.94	4.63	0.88	1/2	1.0	2.87	2.95	1.75	2.25	0.12	2.75	10
QMF08J108S	1-1/2"	2.38	4.25	4.13	5.84	5.38	0.88	1/2	1.0	2.75	2.83	1.75	2.34	0.15	2.75	10
QMF09J111S	1-11/16"	2.63	4.66	4.13	5.84	5.38	0.88	1/2	1.00	3.13	3.21	1.88	2.50	0.25	2.88	11
QMF09J040S	40mm															
QMF09J112S	1-3/4"	2.63	4.66	4.38	6.19	5.63	0.88	1/2	1.00	3.13	3.21	1.88	2.50	0.25	2.88	11
QMF09J045S	45mm															
QMF10J115S	1-15/16"	2.76	4.75	4.38	6.19	5.50	0.88	1/2	0.98	3.18	3.28	1.89	2.56	0.31	2.87	11
QMF10J200S	2"															
QMF10J050S	50mm															
QMF11J203S	2-3/16"	2.99	5.43	4.88	6.89	6.19	1.00	5/8	1.13	3.27	3.37	2.00	2.63	0.15	3.13	14
QMF11J204S	2-1/4"															
QMF11J055S	55mm															
QMF13J207S	60mm	3.62	5.75	5.38	7.60	6.63	1.00	5/8	1.24	3.51	3.59	2.15	2.85	0.12	3.39	17
QMF13J207S	2-7/16"															
QMF13J208S	2-1/2"															
QMF13J065S	65mm															
QMF15J211S	2-11/16"	4.01	6.65	6.00	8.48	7.44	1.06	3/4	1.25	3.77	3.85	2.37	2.98	0.15	3.62	23
QMF15J212S	2-3/4"															
QMF15J070S	70mm															
QMF15J215S	2-15/16"															
QMF15J300S	3"															
QMF15J075S	75mm															
QMF18J303S	3-3/16"	4.76	7.63	7.00	9.91	8.63	1.31	3/4	1.44	4.22	4.30	2.59	3.31	0.19	4.03	35
QMF18J304S	3-1/4"															
QMF18J080S	80mm															
QMF18J307S	3-7/16"															
QMF18J308S	3-1/2"															
QMF18J090S	90mm															
QMF20J311S	3-11/16"	6.00	8.50	7.75	10.96	9.97	1.50	7/8	1.63	4.97	5.05	2.96	4.06	0.37	4.59	55
QMF20J315S	3-15/16"															
QMF20J400S	4"															
QMF20J100S	100mm															
QMF22B407S	4-7/16"	6.29	8.75	8.75	12.38	10.88	1.50	7/8	1.83	5.66	5.82	3.70	4.21	0.13	5.53	63
QMF22B408S	4-1/2"															
QMF22B115S	115mm															

- Modifying a fixed bearing to a floating bearing is done by adjusting the bearing nut.  
 Reverse the nut by one revolution to achieve recommended end float. See Page 66

# EC Series - QMFL 4-Bolt Eccentric Lock Square Flange Block

## Self aligning double row spherical roller bearing



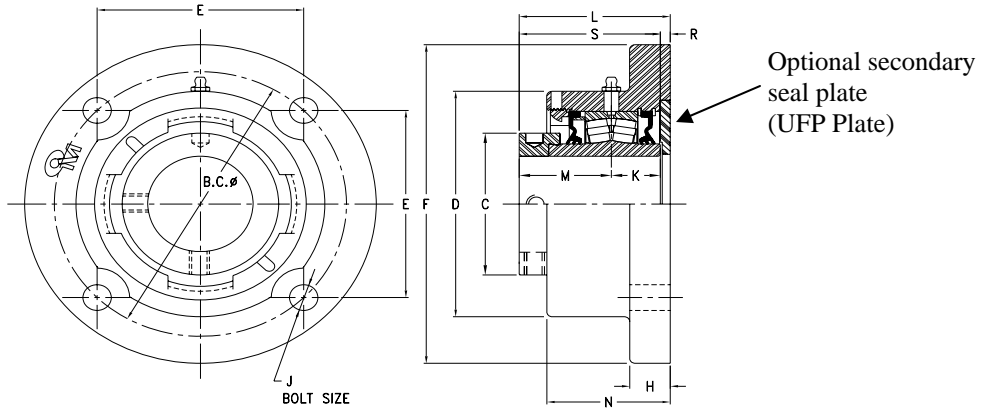
Our steel housings are **Guaranteed** for life against breakage  
 Our eccentric lock is **Guaranteed** not to come loose

Bearing Part #	Bore	C	D	E	B.C. $\phi$	F	H	J	K	L fixed	L exp	M	N	R	S	Lbs
QMFL08J107S	1-7/16"	2.38	3.69	3.54	5.00	4.63	0.88	1/2	1.0	2.87	2.95	1.75	2.25	0.12	2.75	10
QMFL08J108S	1-1/2"															
QMFL09J111S	1-11/16"	2.63	4.66	3.89	5.50	5.38	0.88	1/2	1.00	3.13	3.21	1.88	2.35	0.15	2.88	11
QMFL09J112S	1-3/4"															
QMFL09J040S	40mm															
QMFL09J045S	45mm															
QMFL10J115S	1-15/16"															
QMFL10J200S	2"	2.76	4.54	4.07	5.75	5.19	0.91	1/2	0.98	3.18	3.28	1.89	2.46	0.31	2.87	11
QMFL10J050S	50mm															
QMFL11J203S	2-3/16"	2.99	5.19	4.50	6.38	5.88	0.75	5/8	1.13	3.28	3.36	2.00	2.63	0.15	3.13	14
QMFL11J204S	2-1/4"															
QMFL11J055S	55mm															
QMFL13J060S	60mm	3.62	5.75	4.77	6.75	6.19	1.00	5/8	1.24	3.51	3.59	2.15	2.86	0.12	3.39	17
QMFL13J207S	2-7/16"															
QMFL13J208S	2-1/2"															
QMFL13J065S	65mm															
QMFL15J211S	2-11/16"	4.01	6.63	5.56	7.88	7.19	1.06	3/4	1.25	3.77	3.85	2.37	2.93	0.15	3.62	23
QMFL15J212S	2-3/4"															
QMFL15J070S	70mm															
QMFL15J215S	2-15/16"															
QMFL15J300S	3"															
QMFL15J075S	75mm															
QMFL18J303S	3-3/16"	4.76	7.63	6.72	9.50	8.38	1.28	3/4	1.44	4.19	4.27	2.59	3.40	0.16	4.03	35
QMFL18J304S	3-1/4"															
QMFL18J080S	80mm															
QMFL18J307S	3-7/16"															
QMFL18J308S	3-1/2"															
QMFL18J090S	90mm															
QMFL20J311S	3-11/16"	6.0	8.39	7.60	10.75	9.50	1.50	1	1.63	5.21	5.29	2.96	4.12	0.62	4.59	55
QMFL20J315S	3-15/16"															
QMFL20J400S	4"															
QMFL20J100S	100mm															

- Modifying a fixed bearing to a floating bearing is done by adjusting the bearing nut.  
 Reverse the nut by one revolution to achieve recommended end float. See Page 68

# EC Series - QMFY Eccentric Lock Round Flange Block

## Self aligning double row spherical roller bearing



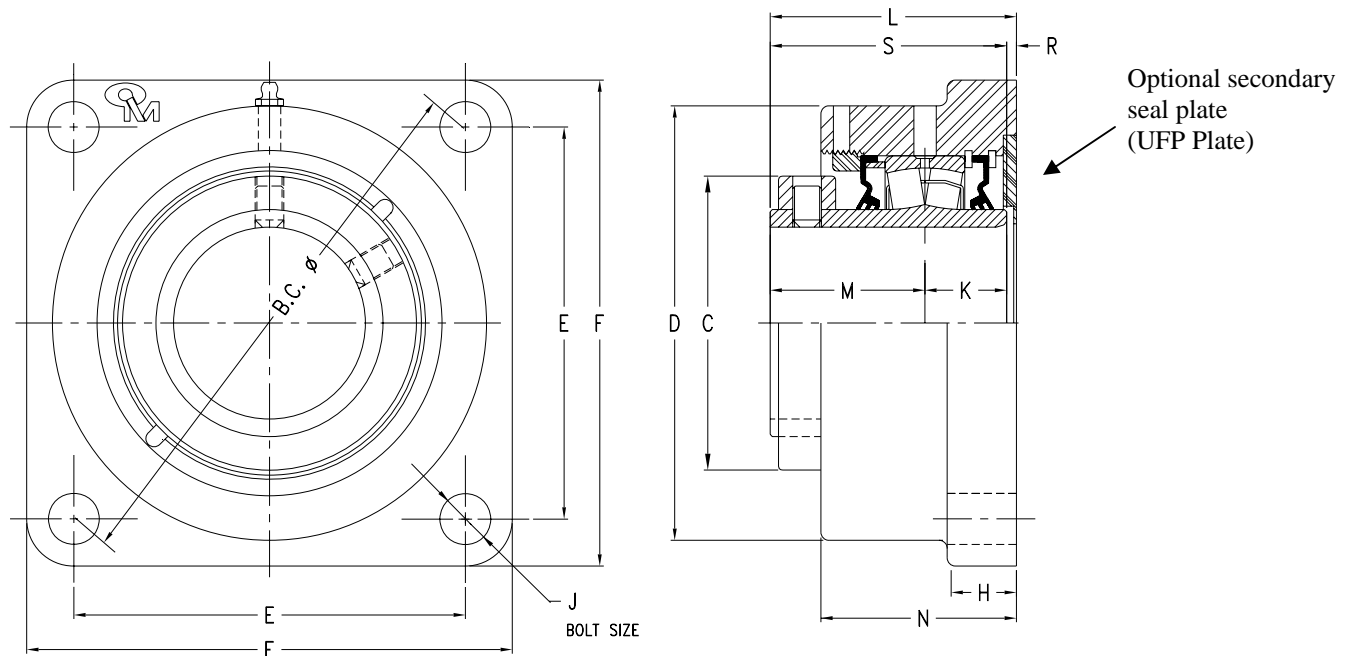
Our steel housings are **Guaranteed** for life against breakage  
 Our eccentric lock is **Guaranteed** not to come loose

Bearing Part #	Bore	C	D	B.C	E	F	H	J	K	L fixed	L exp	M	N	R	S	Lbs
QMFY08J107S*	1-7/16"	2.38	4.25	5.00	3.54	6.25	0.75	1/2	1.0	2.88	2.95	1.75	2.26	0.12	2.75	10
QMFY08J108S*	1-1/2"															
QMFY09J111S	1-11/16"	2.63	4.50	5.50	3.89	6.75	0.81	1/2	1.00	3.00	3.07	1.88	2.38	0.12	2.88	11
QMFY09J112S	1-3/4"															
QMFY09J040S	40mm															
QMFY09J045S	45mm															
QMFY10J115S	1-15/16"	2.76	4.54	5.75	4.07	7.00	0.75	1/2	0.98	2.99	3.07	1.89	2.30	0.12	2.87	12
QMFY10J200S	2"															
QMFY10J050S	50mm															
QMFY11J203S	2-3/16"	2.99	5.13	6.38	4.50	7.75	0.75	5/8	1.13	3.24	3.32	2.00	2.44	0.12	3.13	15
QMFY11J204S	2-1/4"															
QMFY11J055S	55mm															
QMFY13J060S	60mm	3.62	5.75	6.75	4.77	8.13	0.94	5/8	1.24	3.49	3.57	2.15	2.85	0.12	3.39	19
QMFY13J207S	2-7/16"															
QMFY13J208S	2-1/2"															
QMFY13J065S	65mm															
QMFY15J211S	2-11/16"	4.01	6.63	7.88	5.56	9.50	0.94	3/4	1.25	3.88	3.95	2.37	3.00	0.25	3.62	28
QMFY15J212S	2-3/4"															
QMFY15J070S	70mm															
QMFY15J215S	2-15/16"															
QMFY15J300S	3"															
QMFY15J075S	75mm															
QMFY18J303S	3-3/16"	4.76	7.63	9.50	6.72	11.13	1.13	7/8	1.44	4.28	4.36	2.59	3.36	0.25	4.03	42
QMFY18J304S	3-1/4"															
QMFY18J080S	80mm															
QMFY18J307S	3-7/16"															
QMFY18J308S	3-1/2"															
QMFY18J090S	90mm															
QMFY20J311S	3-11/16"	6.00	8.38	10.75	7.60	12.63	1.13	1	1.63	4.87	4.95	2.96	3.81	0.27	4.59	66
QMFY20J315S	3-15/16"															
QMFY20J400S	4"															
QMFY20J100S	100mm															
QMFY22B407S*	4-7/16"	6.29	10.0	12.88	6.44	15.13	1.25	1	1.83	5.63	5.71	3.70	3.95	0.10	5.53	102
QMFY22B408S*	4-1/2"															
QMFY22B115S*	115mm															
QMFY26B415S*	4-15/16"	6.88	11.19	14.00	7.00	16.50	1.50	1-1/8	2.31	6.52	6.60	3.72	5.50	0.49	6.03	115
QMFY26B500S*	5"															
QMFY26B130S*	130mm															

\* 107 / 108 BEARINGS 3 - BOLT FLANGE BLOCK / \* 407 / 408 / 115mm / 415 / 500 / 130 BEARINGS 6 - BOLT FLANGE BLOCK

# CL Series - QAF 4-Bolt Concentric Lock Square Flange Block

## Self aligning double row spherical roller bearing



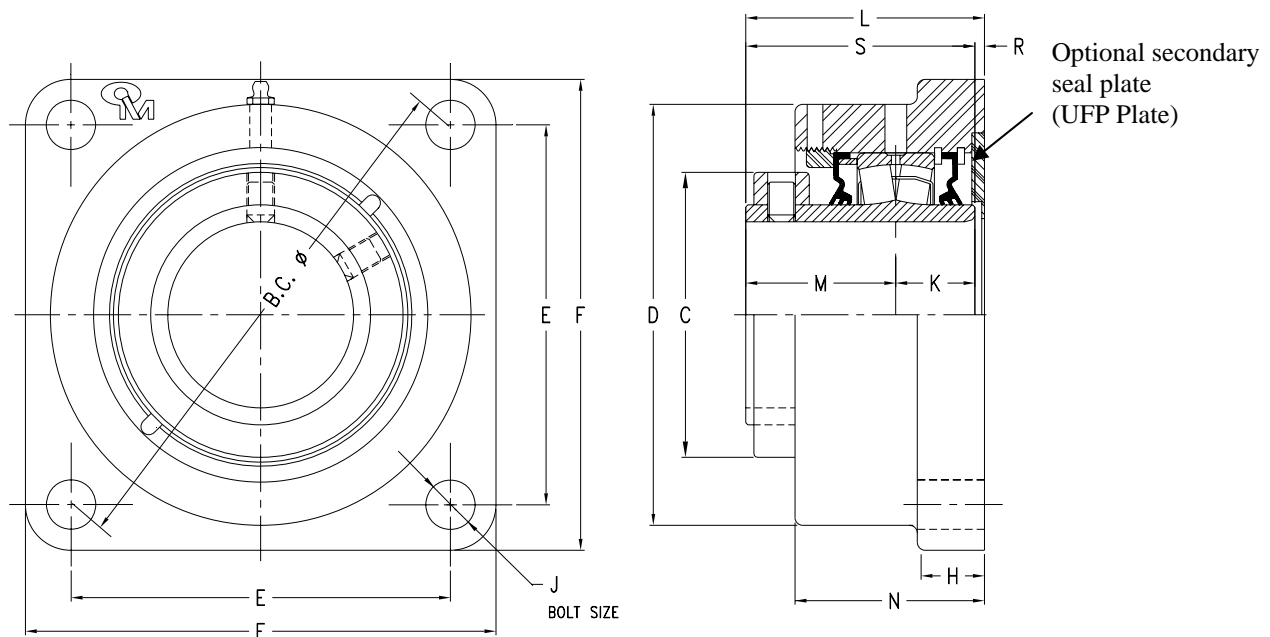
Our steel housings are *Guaranteed* for life against breakage

Bearing Part #	Bore	C	D	B.C.	E	F	H	J	K	L fixed	L exp	M	N	R	S	Lbs
QAF10A115S	1-15/16"	2.88	4.75	6.19	4.38	5.50	0.88	1/2	0.98	3.18	3.28	1.89	2.56	0.31	2.87	11
QAF10A200S	2"															
QAF10A050S	50mm															
QAF11A203S	2-3/16"	3.25	5.13	6.89	4.88	6.19	1.00	5/8	1.13	3.27	3.37	2.00	2.63	0.15	3.13	14
QAF11A204S	2-1/4"															
QAF13A207S	2-7/16"	4.00	5.75	7.60	5.38	6.63	1.00	5/8	1.24	3.51	3.59	2.15	2.85	0.12	3.39	17
QAF13A208S	2-1/2"															
QAF13A065S	65mm															
QAF15A215S	2-15/16"	4.50	6.65	8.48	6.00	7.44	1.06	3/4	1.25	3.77	3.85	2.37	2.84	0.15	3.62	23
QAF15A300S	3"															
QAF15A075S	75mm															
QAF18A307S	3-7/16"	5.13	7.63	9.91	7.00	8.63	1.31	3/4	1.44	4.22	4.30	2.59	3.31	0.19	4.03	35
QAF18A308S	3-1/2"															
QAF18A090S	90mm															
QAF20A315S	3-15/16"	6.00	8.50	10.96	7.75	9.97	1.50	7/8	1.63	4.97	5.05	2.96	4.06	0.37	4.59	55
QAF20A400S	4"															
QAF20A100S	100mm															

- Modifying a fixed bearing to a floating bearing is done by adjusting the bearing nut.  
Reverse the nut by one revolution to achieve recommended end float. See Page 67

# CL Series - QAFL 4-Bolt Concentric Lock Square Flange Block

## Self aligning double row spherical roller bearing



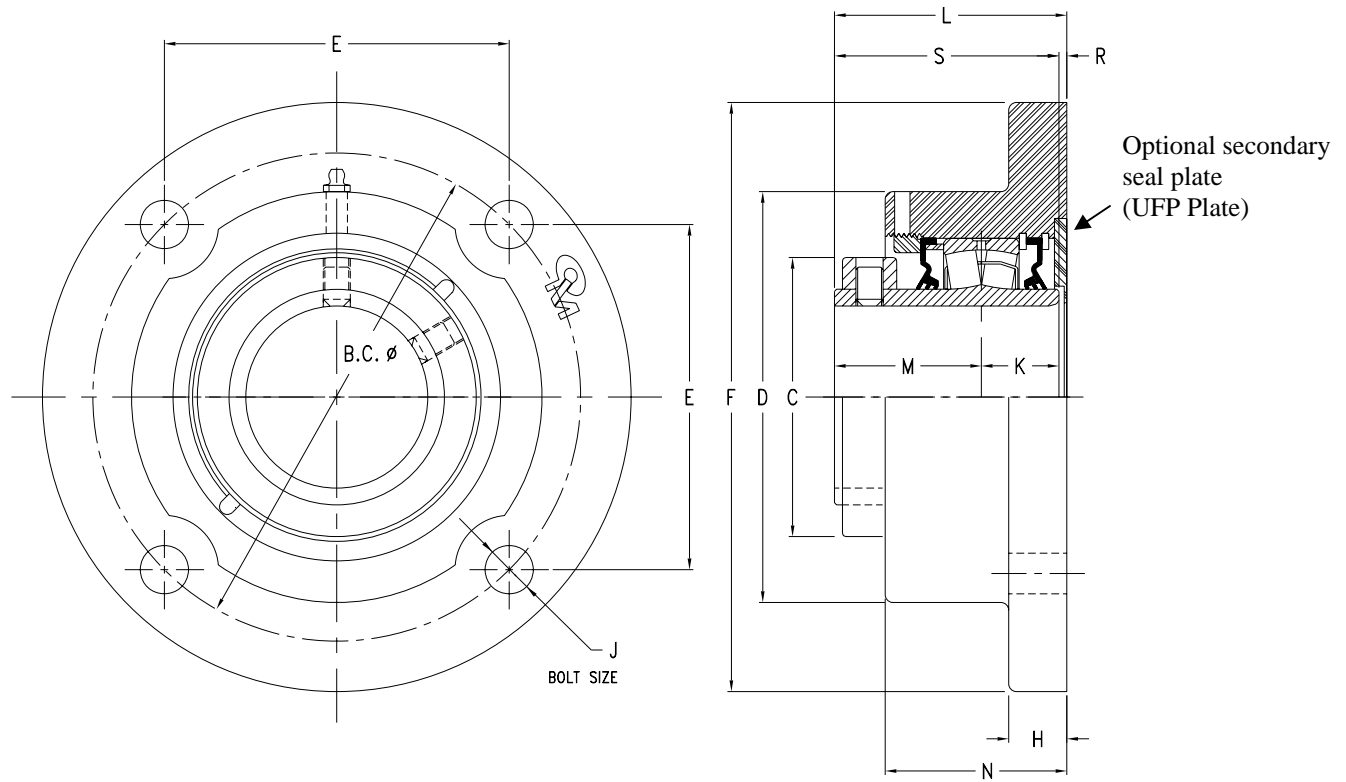
Our steel housings are *Guaranteed* for life against breakage

Bearing Part #	Bore	C	D	B.C.	E	F	H	J	K	L fixed	L exp	M	N	R	S	Lbs
QAFL10A115S	1-15/16"	2.88	4.75	5.75	4.07	5.19	0.91	1/2	0.98	3.18	3.28	1.89	2.46	0.31	2.87	11
QAFL10A200S	2"															
QAFL10A050S	50mm															
QAFL11A203S	2-3/16"	3.25	5.19	6.38	4.50	5.88	0.75	5/8	1.13	3.28	3.36	2.00	2.63	0.15	3.13	14
QAFL11A204S	2-1/4"															
QAFL13A207S	2-7/16"	4.00	5.75	6.75	4.77	6.19	1.00	5/8	1.24	3.51	3.59	2.15	2.86	0.12	3.39	17
QAFL13A208S	2-1/2"															
QAFL13A065S	65mm															
QAFL15A215S	2-15/16"	4.50	6.63	7.88	5.56	7.19	1.06	3/4	1.25	3.77	3.85	2.37	2.93	0.15	3.62	23
QAFL15A300S	3"															
QAFL15A075S	75mm															
QAFL18A307S	3-7/16"	5.13	7.63	9.50	6.72	8.38	1.28	3/4	1.44	4.19	4.27	2.59	3.40	0.16	4.03	35
QAFL18A308S	3-1/2"															
QAFL18A090S	90mm															
QAFL20A315S	3-15/16"	6.00	8.39	10.75	7.60	9.50	1.50	1.00	1.63	5.21	5.29	2.96	4.12	0.62	4.59	55
QAFL20A400S	4"															
QAFL20A100S	100mm															

- Modifying a fixed bearing to a floating bearing is done by adjusting the bearing nut.  
Reverse the nut by one revolution to achieve recommended end float. See Page 67

# CL Series - QAFY 4-Bolt Concentric Lock Round Flange Block

## Self aligning double row spherical roller bearing



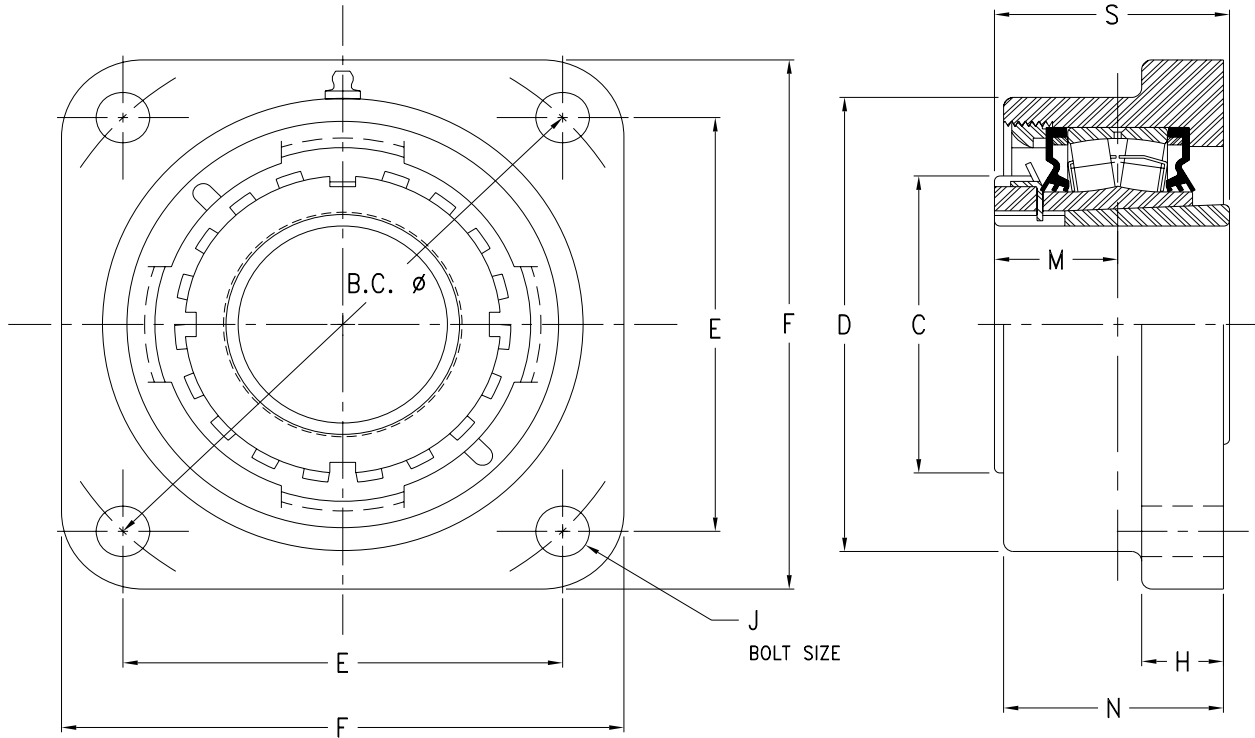
Our steel housings are *Guaranteed* for life against breakage

Bearing Part #	Bore	C	D	B.C.	E	F	H	J	K	L fixed	L exp	M	N	R	S	Lbs
QAFY10A115S	1-15/16"	2.88	4.75	5.75	4.07	7.00	0.75	1/2	0.98	2.99	3.07	1.89	2.25	0.12	2.87	12
QAFY10A200S	2"															
QAFY10A050S	50mm															
QAFY11A203S	2-3/16"	3.25	5.13	6.38	4.50	7.75	0.75	5/8	1.13	3.24	3.32	2.00	2.44	0.12	3.13	15
QAFY11A204S	2-1/4"															
QAFY13A207S	2-7/16"	4.00	5.75	6.75	4.77	8.13	0.94	5/8	1.24	3.49	3.57	2.15	2.85	0.12	3.39	19
QAFY13A208S	2-1/2"															
QAFY13A065S	65mm															
QAFY15A215S	2-15/16"	4.50	6.63	7.88	5.56	9.50	0.94	3/4	1.25	3.88	3.96	2.37	3.00	0.25	3.62	28
QAFY15A300S	3"															
QAFY15A075S	75mm															
QAFY18A307S	3-7/16"	5.13	7.63	9.50	6.72	11.13	1.13	7/8	1.44	4.28	4.36	2.59	3.36	0.25	4.03	42
QAFY18A308S	3-1/2"															
QAFY18A090S	90mm															
QAFY20A315S	3-15/16"	6.00	8.38	10.75	7.60	12.63	1.13	1.00	1.63	4.87	4.95	2.96	3.81	0.27	4.59	66
QAFY20A400S	4"															
QAFY20A100S	100mm															

- Modifying a fixed bearing to a floating bearing is done by adjusting the bearing nut.  
Reverse the nut by one revolution to achieve recommended end float. See Page 67

# TA Series - DVF 4-Bolt Tapered Adapter Mount Square Flange Block

## Self aligning double row spherical roller bearing



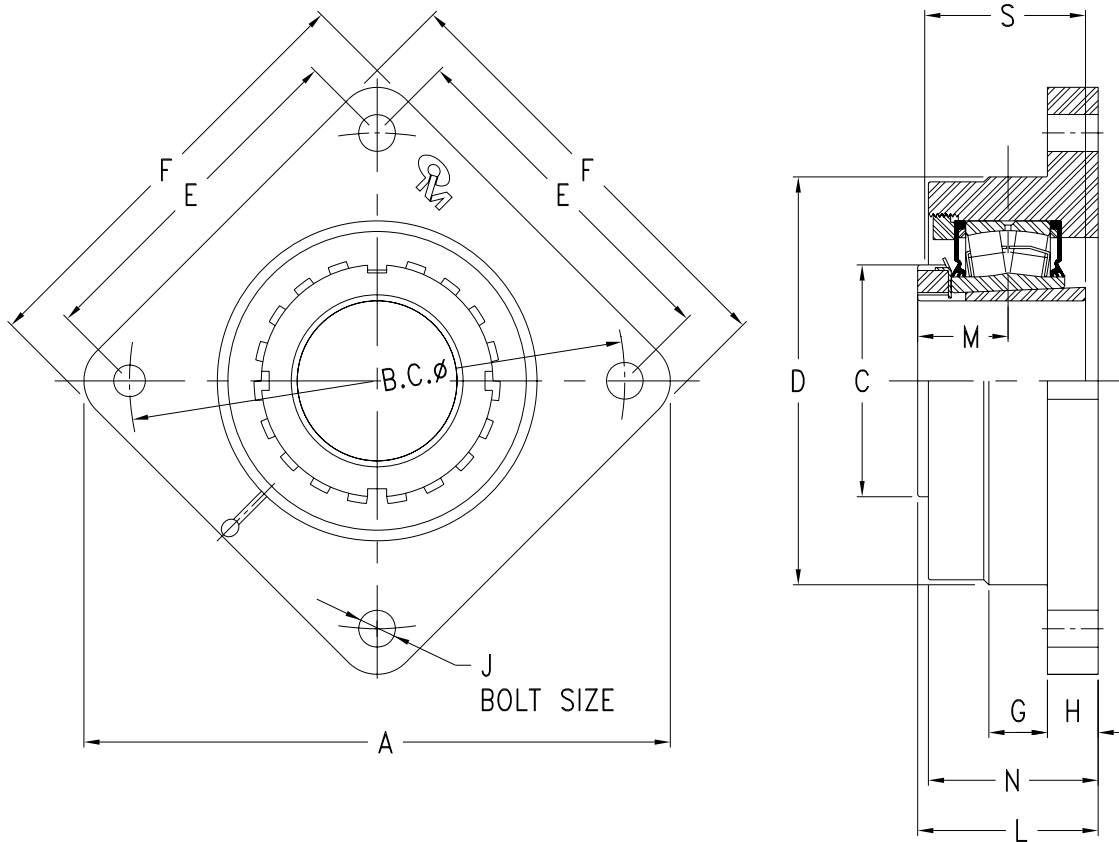
Our steel housings are *Guaranteed* for life against breakage

Bearing Part #	Bore	C	D	E	B.C.	F	H	J	M	N	S	Lbs
DVF11K115S	1-15/16"	2.95	4.75	4.38	6.19	5.50	0.88	1/2	1.24	2.56	2.32	12
DVF11K200S	2"											
DVF11K050S	50mm											
DVF13K203S	2-3/16"	3.35	5.43	4.88	6.89	6.19	1.00	5/8	1.47	2.63	2.56	15
DVF13K204S	2-1/4"											
DVF13K060S	60mm											
DVF15K207S	2-7/16"	3.86	5.75	5.38	7.60	6.63	1.00	5/8	1.54	2.85	2.87	18
DVF15K208S	2-1/2"											
DVF15K065S	65mm											
DVF17K215S	2-15/16"	4.33	6.72	6.00	8.48	7.44	1.06	3/4	1.72	3.03	3.23	28
DVF17K300S	3"											
DVF17K075S	75mm											
DVF20K307S	3-7/16"	5.12	7.63	7.00	9.90	8.63	1.31	3/4	2.06	3.31	3.82	39
DVF20K308S	3-1/2"											
DVF20K090S	90mm											
DVF22R315S	3-15/16"	5.71	8.50	7.75	10.96	9.97	1.50	7/8	2.22	4.06	4.13	53
DVF22R400S	4"											
DVF22R100S	100mm											
DVF26R407S	4-7/16"	6.50	10.11	8.75	12.38	10.88	1.50	7/8	2.56	4.21	4.76	75
DVF26R408S	4-1/2"											
DVF26R115S	115mm											

- Modifying a fixed bearing to a floating bearing is done by adjusting the bearing nut.  
Reverse the nut by one revolution to achieve recommended end float. See Page 66

# TA Series - TAFB 4-Bolt Tapered Adapter Mount Square Flange Block

## Self aligning double row spherical roller bearing



Our steel housings are *Guaranteed* for life against breakage

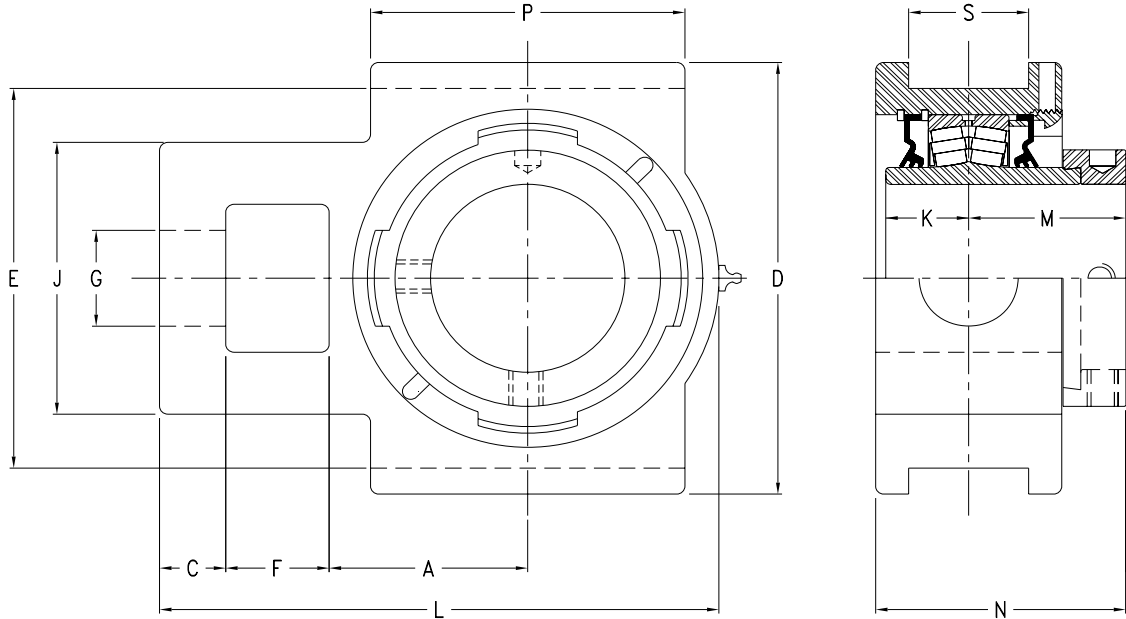
Bearing Part #	Bore	A	B.C.	C	D	E	F	G	H	J	L	M	N	S	Lbs
TAFB15K207S	2-7/16"	10.04	8.47	3.86	6.69	6.00	7.56	1.00	0.94	5/8	2.90	1.50	2.55	2.87	25
TAFB15K208S	2-1/2"														
TAFB15K065S	65 mm														
TAFB17K215S	2-15/16"	11.12	9.45	4.33	7.48	6.68	8.35	1.00	1.00	5/8	3.25	1.72	2.75	3.23	30
TAFB17K300S	3"														
TAFB17K075S	75 mm														
TAFB20K307S	3-7/16"	13.00	11.02	5.12	9.06	7.79	9.76	1.25	1.13	3/4	3.95	2.06	3.71	3.82	40
TAFB20K308S	3-1/2"														
TAFB20K090S	90 mm														
TAFB22R315S	3-15/16"	14.45	12.20	5.71	10.04	8.63	11.00	1.75	1.04	3/4	4.19	2.22	3.98	4.13	60
TAFB22R400S	4"														
TAFB22R100S	100 mm														
TAFB26R407S	4-7/16"	16.38	13.97	6.50	11.42	9.88	11.75	1.65	1.26	7/8	4.87	2.50	4.50	4.76	94
TAFB26R408S	4-1/2"														
TAFB26R115S	115 mm														

- Modifying a fixed bearing to a floating bearing is done by adjusting the bearing nut.  
Reverse the nut by one revolution to achieve recommended end float. See Page 66



# EC Series - QMTU Eccentric Lock Take-up Block

## Self aligning double row spherical roller bearing



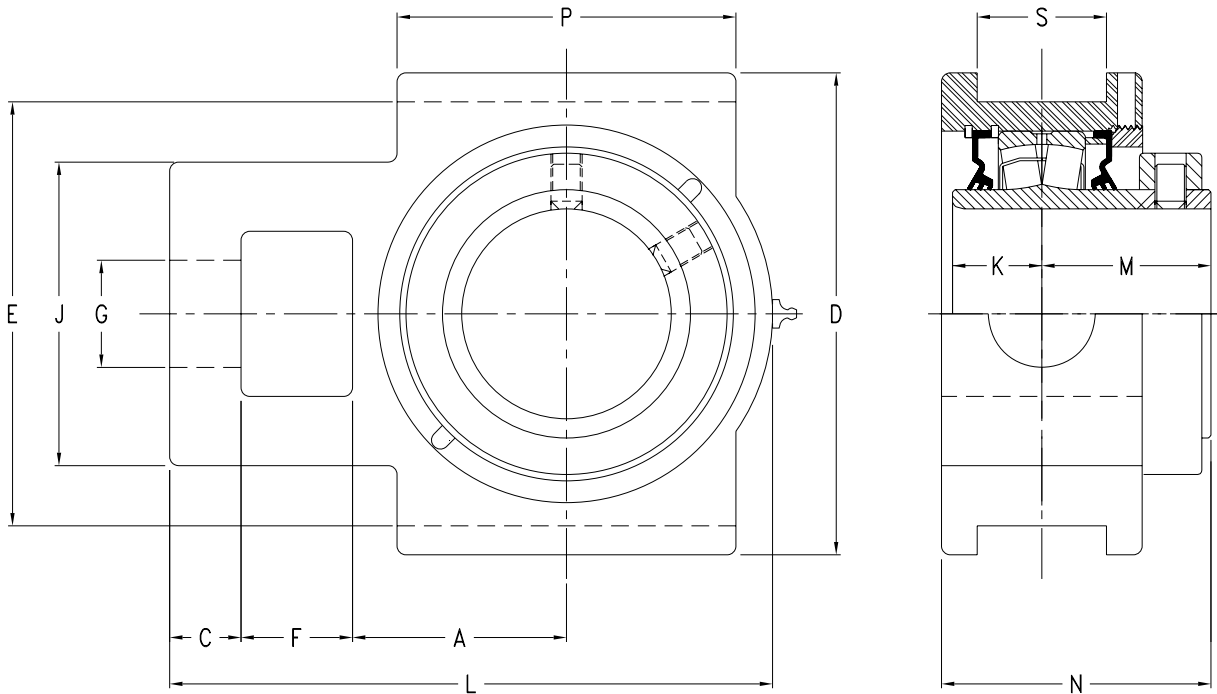
Our steel housings are *Guaranteed* for life against breakage  
 Our eccentric lock is *Guaranteed* not to come loose

Bearing Part #	Bore	A	C	D	E	F	G	J	K	L	M	N	P	S	Lbs
QMTU10J115S	1-15/16"	2.13	0.75	4.75	4.00	1.06	1.06	2.88	0.98	6.04	1.90	2.98	3.50	0.69	15
QMTU10J200S	2"														
QMTU10J050S	50mm														
QMTU11J203S	2-3/16"	2.34	0.75	5.25	4.50	1.19	1.19	3.50	1.13	6.61	2.00	3.22	3.75	0.82	18
QMTU11J204S	2-1/4"														
QMTU11J055S	55mm														
QMTU13J060S	60mm	2.75	0.88	5.86	5.13	1.31	1.31	3.75	1.24	7.63	2.13	3.39	4.75	1.06	24
QMTU13J207S	2-7/16"														
QMTU13J208S	2-1/2"														
QMTU13J065S	65mm														
QMTU15J211S	2-11/16"	3.00	1.00	6.75	5.94	1.56	1.56	4.25	1.25	8.45	2.37	3.78	4.75	1.81	30
QMTU15J212S	2-3/4"														
QMTU15J070S	070mm														
QMTU15J215S	2-15/16"														
QMTU15J300S	3"														
QMTU15J075S	75mm														
QMTU18J303S	3-3/16"	3.63	1.00	7.63	6.81	1.81	1.81	4.88	1.44	9.92	2.58	4.06	6.25	1.81	38
QMTU18J304S	3-1/4"														
QMTU18J080S	80mm														
QMTU18J307S	3-7/16"														
QMTU18J308S	3-1/2"														
QMTU18J090S	90mm														
QMTU20J311S	3-11/16"	4.13	1.13	9.44	8.63	2.13	2.06	5.63	1.63	10.88	2.96	4.74	7.00	2.06	48
QMTU20J315S	3-15/16"														
QMTU20J400S	4"														
QMTU20J100S	100mm														

- Modifying a fixed bearing to a floating bearing is done by adjusting the bearing nut.  
 Reverse the nut by one revolution to achieve recommended end float. . See Page 66

# CL Series - QATU Concentric Lock Take-up Block

## Self aligning double row spherical roller bearing



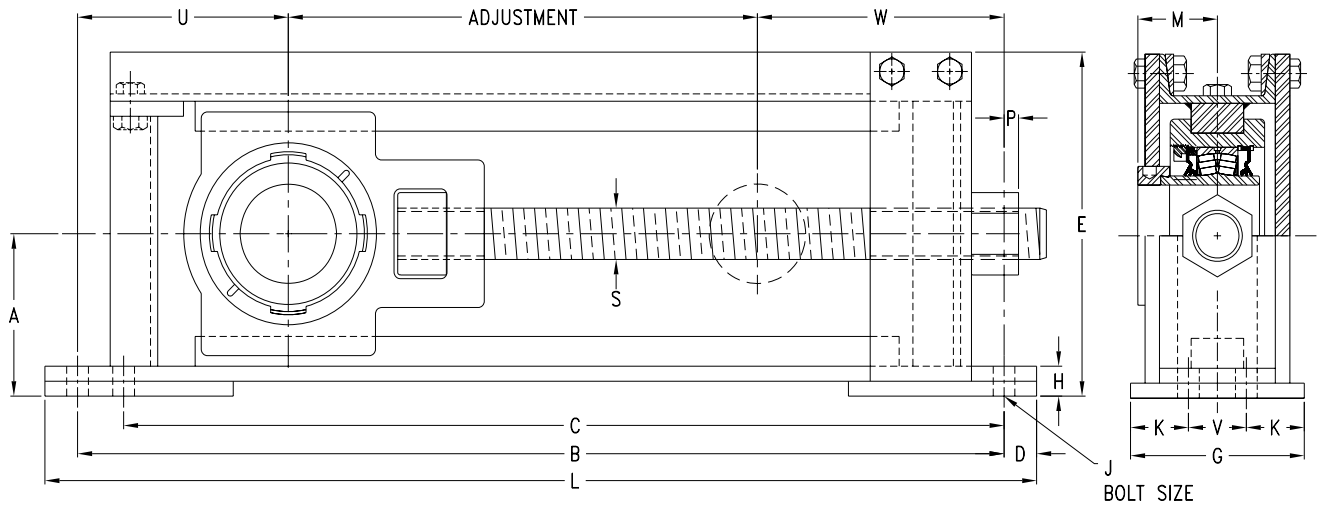
Our steel housings are *Guaranteed* for life against breakage

Bearing Part #	Bore	A	C	D	E	F	G	J	K	L	M	N	P	S	Lbs
QATU10A115S	1-15/16"	2.13	0.75	4.75	4.00	1.06	1.06	2.88	0.98	6.04	1.89	2.98	3.50	0.69	15
QATU10A200S	2"														
QATU10A050S	50mm														
QATU11A203S	2-3/16"	2.34	0.75	5.25	4.50	1.19	1.19	3.50	1.13	6.61	2.00	3.22	3.75	0.82	18
QATU11A204S	2-1/4"														
QATU13A207S	2-7/16"	2.75	0.88	5.86	5.13	1.31	1.31	3.75	1.24	7.63	2.15	3.39	4.75	1.06	24
QATU13A208S	2-1/2"														
QATU13A065S	65mm														
QATU15A215S	2-15/16"	3.00	1.00	6.75	5.94	1.56	1.56	4.25	1.25	8.45	2.37	3.78	4.75	1.81	30
QATU15A300S	3"														
QATU15A075S	75mm														
QATU18A307S	3-7/16"	3.63	1.00	7.63	6.81	1.81	1.81	4.88	1.44	9.92	2.59	4.17	6.25	1.81	38
QATU18A308S	3-1/2"														
QATU18A090S	90mm														
QATU20A315S	3-15/16"	4.13	1.13	9.44	8.63	2.13	2.06	5.63	1.63	10.88	2.97	4.74	7.00	2.06	48
QATU20A400S	4"														
QATU20A100S	100mm														

- Modifying a fixed bearing to a floating bearing is done by adjusting the bearing nut.  
Reverse the nut by one revolution to achieve recommended end float. . See Page 67

# Blue Brute - QMTF Take-up Frame

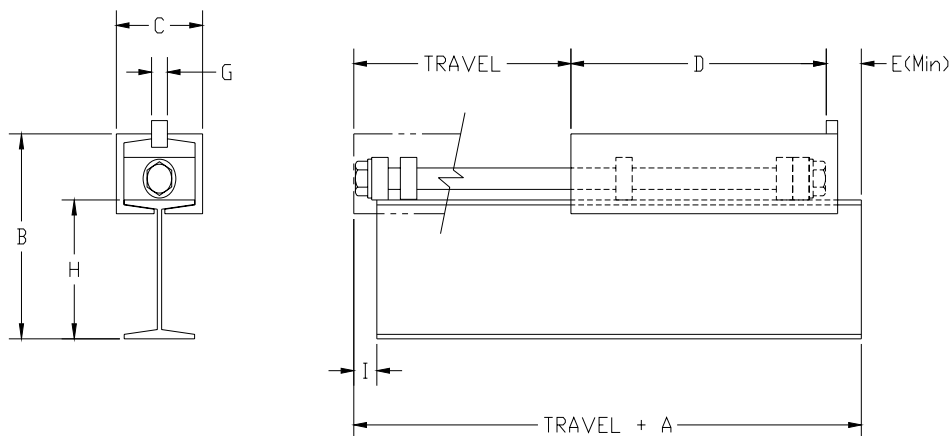
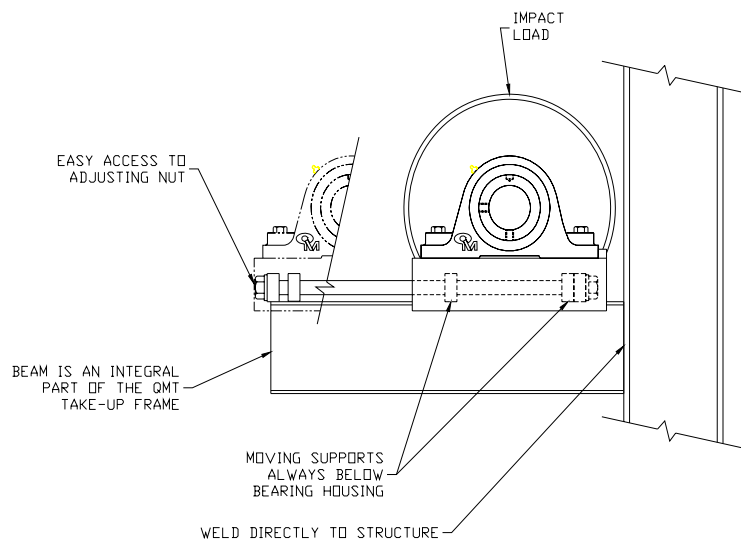
- Heavy Steel construction frame works
- Will fit either EC or CL style take-up block
- Bearing not included



QMTU Take-up frame dimensions																					
Bearing Part #	Bore	Travel Nom.	Travel Adj.	(Inches)															Bolts Req. No.	WT. Lb.	
				A	B	C	D	E	G	H	K	L	M	S	P	U	V	W			
QMTF12-115	1-15/16"	12"	16.50	3.94	27.50	n/a	1.00	8.28	4.00	1.25	n/a	29.50	1.88	1-8NC	1.25	5.38	n/a	5.63	2	5/8"	60
QMTF12-203	2-3/16"	12"	17.00	4.19	27.50	n/a	1.00	8.66	4.00	1.38	n/a	29.50	2.00	1.125-7NC	1.63	4.56	n/a	5.94	2	5/8"	65
QMTF12-207	2-7/16"	12"	16.60	4.38	28.50	n/a	1.00	9.19	4.00	1.13	n/a	30.50	2.13	1.25-7NC	1.75	5.31	n/a	6.56	2	3/4"	71
QMTF12-215	2-15/16"	12"	15.50	5.09	30.50	n/a	1.00	10.74	5.00	1.13	1.50	32.50	2.38	1.5-6NC	0.50	6.50	2.00	8.50	4	5/8"	109
QMTF12-307	3-7/16"	12"	15.50	5.44	32.00	n/a	1.13	11.63	5.00	1.03	1.50	34.25	2.58	1.75-5NC	1.00	7.31	2.00	9.19	4	3/4"	138
QMTF12-315	3-15/16"	12"	18.00	7.00	36.00	n/a	1.25	14.47	6.00	1.44	1.75	38.50	2.96	2.4-5NC	1.63	7.50	2.50	10.44	4	3/4"	191
QMTF18-207	2-7/16"	18"	22.60	4.38	34.50	n/a	1.00	9.22	4.00	1.06	n/a	36.50	2.13	1.0-7NC	1.75	5.50	n/a	6.40	2	3/4"	81
QMTF18-215	2-15/16"	18"	21.50	5.09	36.50	n/a	1.00	10.74	5.00	1.13	1.50	38.50	2.38	1.5-6NC	0.50	6.50	2.00	8.50	4	5/8"	120
QMTF18-307	3-7/16"	18"	21.50	5.62	38.00	n/a	1.13	11.63	5.00	1.03	1.50	40.25	2.58	1.75-5NC	1.00	7.31	2.00	9.19	4	3/4"	156
QMTF18-315	3-15/16"	18"	24.00	7.00	42.00	n/a	1.25	14.44	6.00	1.44	1.75	44.50	2.96	2.4-5NC	1.63	7.50	2.50	10.44	4	3/4"	223
QMTF24-207	2-7/16"	24"	28.60	4.38	28.50	n/a	1.00	9.19	4.00	1.13	n/a	42.50	2.13	1.25-7NC	1.75	4.56	n/a	6.56	2	3/4"	91
QMTF24-215	2-15/16"	24"	27.50	4.94	30.50	n/a	1.00	10.69	5.00	0.97	1.50	44.50	2.38	1.5-6NC	0.50	6.50	2.00	8.50	4	5/8"	141
QMTF24-307	3-7/16"	24"	27.50	5.63	44.00	n/a	1.13	11.63	5.00	1.03	1.50	46.25	2.58	1.75-5NC	1.00	7.31	2.00	9.19	4	3/4"	179
QMTF24-315	3-15/16"	24"	30.00	7.00	48.00	n/a	1.25	14.47	6.00	1.44	1.75	50.50	2.96	2.4-5NC	1.63	7.50	2.50	10.44	4	3/4"	249

# Blue Brute - Compact Take-up Frames

- Heavy Steel construction frame works
- Any style of pillow block will mount on frame.

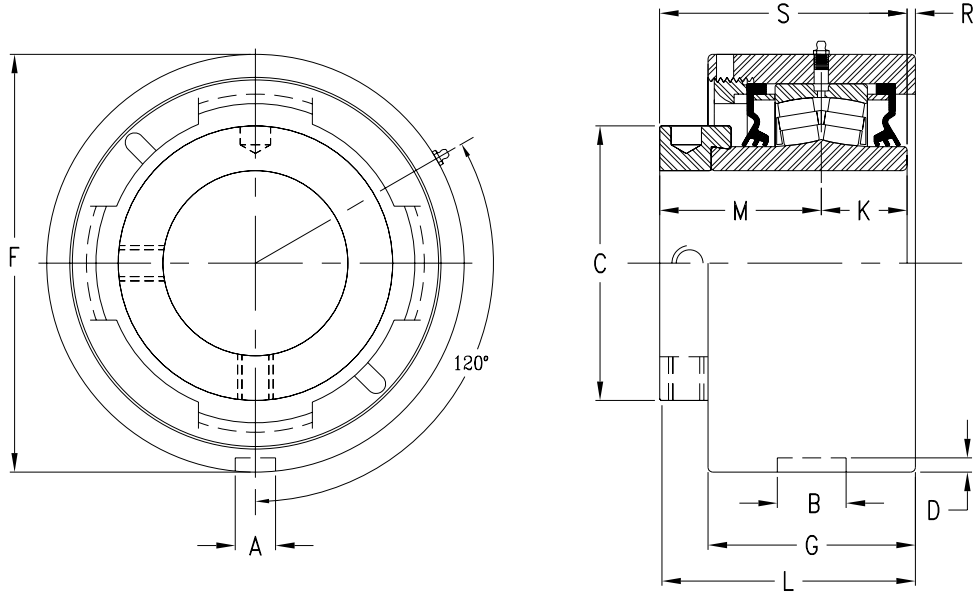


**Take-up frame dimensions**

Frame Part #	Bearing size	Travel	A	B	C	D	E	F	G	H	I	Lbs
QMT 1 X 9	1-7/16 - 2-15/16	9	13.0	7.375	3.625	11.38	1.63	3.0	5/8	5.0	1.0	26
QMT 1 X 12	1-7/16 - 2-15/16	12	13.0	7.375	3.625	11.38	1.63	3.0	5/8	5.0	1.0	30
QMT 1 X 18	1-7/16 - 2-15/16	18	13.0	7.375	3.625	11.38	1.63	3.0	5/8	5.0	1.0	36
QMT 1 X 24	1-7/16 - 2-15/16	24	13.0	7.375	3.625	11.38	1.63	3.0	5/8	5.0	1.0	42
QMT 2 X 18	2-15/16 - 4-7/16	18	19.0	12.25	4.938	17.0	2.0	4.19	1	8.0	1.5	74
QMT 2 X 24	2-15/16 - 4-7/16	24	19.0	12.25	4.938	17.0	2.0	4.19	1	8.0	1.5	90
QMT 2 X 36	2-15/16 - 4-7/16	36	19.0	12.25	4.938	17.0	2.0	4.19	1	8.0	1.5	96

# EC Series - QMMC Eccentric Lock Cartridge Unit

## Self aligning double row spherical roller bearing



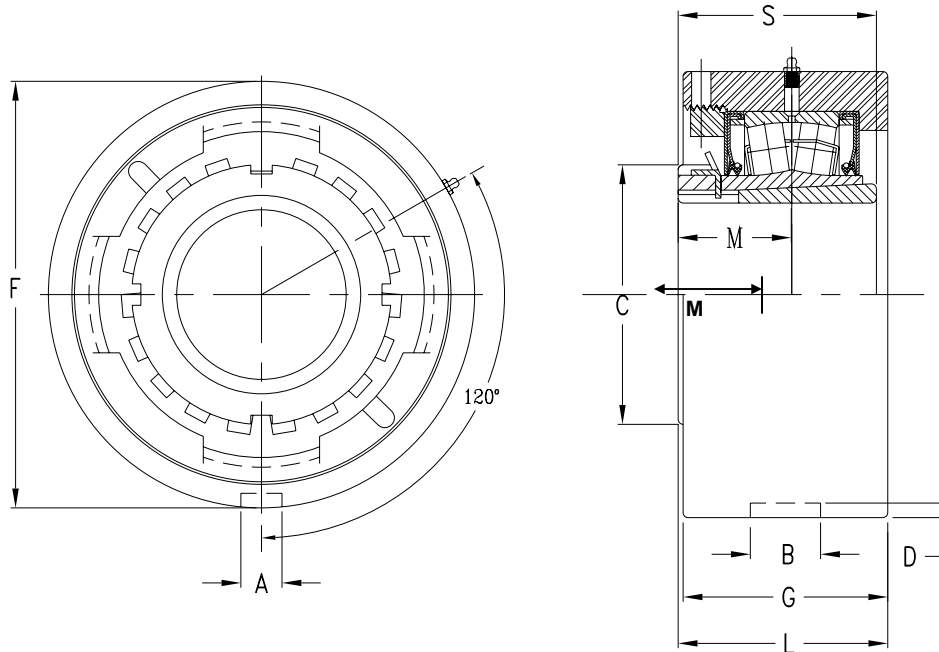
Our steel housings are **Guaranteed** for life against breakage  
Our eccentric lock is **Guaranteed** not to come loose

Bearing	Bore	A	B	C	D	F	G	K	L fixed	L exp.	M	R	S	Lbs
QMMC10J115S	1-15/16"	0.530	0.906	2.76	0.187	4.125	2.45	0.98	3.12	3.20	1.89	0.24	2.87	8
QMMC10J200S	2"													
QMMC10J050S	50mm													
QMMC11J203S	2-3/16"	0.530	0.906	2.99	0.187	4.531	2.58	1.13	3.29	3.37	2.00	0.16	3.12	10
QMMC11J204S	2-1/4"													
QMMC11J055S	55mm													
QMMC13J060S*	60mm	0.530	0.906	3.62	0.138	5.000	2.73	1.24	3.37	3.45	2.15	0.00	3.39	12
QMMC13J207S*	2-7/16"													
QMMC13J208S*	2-1/2"													
QMMC13J065S*	65mm	0.594	1.031	4.01	0.250	5.875	3.14	1.25	3.94	4.02	2.37	0.32	3.62	18
QMMC15J211S	2-11/16"													
QMMC15J212S	2-3/4"													
QMMC15J070S	70mm													
QMMC15J215S	2-15/16"													
QMMC15J300S	3"													
QMMC15J075S	75mm													
QMMC18J303S*	3-3/16"	0.594	1.063	4.76	0.225	6.750	3.45	1.44	4.32	4.40	2.59	0.29	4.03	26
QMMC18J304S*	3-1/4"													
QMMC18J080S*	80mm													
QMMC18J307S*	3-7/16"													
QMMC18J308S*	3-1/2"													
QMMC18J090S*	90mm													
QMMC20J311S	3-11/16"	0.780	1.281	6.00	0.313	8.125	4.14	1.63	5.039	5.12	2.96	0.45	4.59	32
QMMC20J315S	3-15/16"													
QMMC20J400S	4"													
QMMC20J100S	100mm													
QMMC22B407S	4-7/16"	0.780	1.500	6.29	0.313	8.750	4.26	1.83	5.83	5.91	3.70	0.30	5.53	40
QMMC22B408S	4-1/2"													
QMMC22B115S	115mm													

\* The grub screw is located in the nut to secure to housing  
- Modifying a fixed bearing to a floating bearing is done by adjusting the bearing nut.  
Reverse the nut by one revolution to achieve recommended end float. . See Page 66

# TA Series - TAMC 9000 Series - Tapered Adapter Mount Cartridge

## Self aligning double row spherical roller bearing



Bearing Part #	Bore	A	B	C	D	F	G	L fixed	L exp.	M	S	Lbs
TAMC11K115S	1-15/16"	0.530	0.906	2.95	0.188	4.531	2.18	2.33	2.41	1.24	2.18	10
TAMC11K200S	2"											
TAMC11K050S	50mm											
TAMC13K203S	2-3/16"	0.530	0.906	3.35	0.188	5.750	2.64	2.70	2.78	1.47	2.64	12
TAMC13K204S	2-1/4"											
TAMC13K060S	60mm											
TAMC15K207S	2-7/16"	0.594	1.032	3.86	0.250	5.875	2.78	2.89	2.97	1.54	2.78	18
TAMC15K208S	2-1/2"											
TAMC15K065S	65mm											
TAMC17K215S	2-15/16"	0.594	1.083	4.33	0.281	6.750	2.95	3.20	3.28	1.72	2.95	26
TAMC17K300S	3"											
TAMC17K075S	75mm											
TAMC20K307S	3-7/16"	0.781	1.281	5.12	0.313	8.125	3.37	3.78	3.86	2.06	3.37	32
TAMC20K308S	3-1/2"											
TAMC20K090S	90mm											
TAMC22R315S	3-15/16"	0.781	1.281	5.71	0.313	8.750	3.85	4.15	4.23	2.22	3.85	40
TAMC22R400S	4"											
TAMC22R100S	100mm											
TAMC26R407S	4-7/16"	0.780	1.500	6.50	0.313	10.437	4.11	4.62	4.70	2.56	4.11	52
TAMC26R408S	4-1/2"											
TAMC26R115S	115mm											

- Modifying a fixed bearing to a floating bearing is done by adjusting the bearing nut.  
Reverse the nut by one revolution to achieve recommended end float. . See Page 66

# Blue Brute - Engineering Section

## Blue Brute Bearing Life Calculations:

Blue Brute Self Aligning Double Row Spherical Roller Bearings are excellent for applications where moderate to extremely :

- Heavy Radial and Thrust loads prevail.
- Shock loads prevail.
- Contamination conditions prevail.
- Low to moderate speeds prevail.
- The possibility of misalignment is present.

### Blue Brute spherical roller bearing Radial & Thrust factors

$$L_{10} := \left( \frac{C}{P} \right)^{\frac{10}{3}} \cdot \left( \frac{16667}{RPM} \right)$$

**L<sub>10</sub>**= Calculated bearing life

**C** = Basic C Rating, lbs

**P** = Equivalent Radial Load, lbs

**RPM** = Revolutions per minute

EC Series					
Bearing Part #	Dynamic Load in Pounds		Geometry factors		
	Basic C Rating	Static Co Rating	e	Y1	Y2
SLJ08	20233	22482	0.29	2.35	3.50
SLJ09	21133	24280	0.27	2.50	3.72
SLJ10	22480	27200	0.25	2.71	4.04
SLJ11	27280	31920	0.26	2.64	3.93
SLJ13	39790	48560	0.27	2.49	3.71
SLJ15	42940	53960	0.25	2.74	4.08
SLJ18	68570	87680	0.23	2.90	4.31
SLJ20	85430	109000	0.26	2.55	3.80
SLJ22	107900	143900	0.26	2.55	3.80
SLJ26	124200	186300	0.28	2.43	3.61
SLJ30	210800	344300	0.33	2.00	3.00
SLJ34	274500	454500	0.35	1.90	2.90

Bearings that support a combination of radial load and thrust load take an unequal load on one of the rows of rollers. The following formula and factors convert the thrust and radial loads into an equivalent radial load. The calculated equivalent radial load will have the same effect on the life of the bearing as a radial load of the same magnitude.

#### Equivalent radial load when thrust load is applied:

$P = Fr + Y1 * Fa$  When  $Fa / Fr \leq e$

$P = 0.67Fr + Y2 * Fa$  When  $Fa / Fr > e$

P = Equivalent radial load, lbs.

Fr = Radial load, lbs.

Fa = Thrust load, lbs

Y1 = Geometry factor

Y2 = Geometry factor

e = Geometry factor

CL Series					
Bearing Part #	Dynamic Load in Pounds		Geometry factors		
	Basic C Rating	Static Co Rating	e	Y1	Y2
SLA10	22480	27200	0.25	2.71	4.04
SLA11	27280	31920	0.26	2.64	3.93
SLA13	39790	48560	0.27	2.49	3.71
SLA15	42940	53960	0.25	2.74	4.08
SLA18	68570	87680	0.23	2.90	4.31
SLA20	85430	109000	0.26	2.55	3.80

TA / DV Series					
Bearing Part #	Dynamic Load in Pounds		Geometry factors		
	Basic C Rating	Static Co Rating	e	Y1	Y2
SLK11	27280	31920	0.26	2.64	3.93
SLK13	39790	48560	0.27	2.49	3.71
SLK15	42940	53960	0.25	2.74	4.08
SLK17	57330	71940	0.23	2.95	4.40
SLK20	85430	109000	0.26	2.55	3.80
SLK22	107900	143900	0.26	2.55	3.80
SLK26	124200	186300	0.28	2.43	3.61

# Blue Brute - Engineering Section

## Self aligning double row spherical roller bearing radial internal clearances

EC Series Radial Internal Clearance (Inch)		
Bearing part #	Min	Max
SLJ08	.0014	.0020
SLJ09	.0018	.0024
SLJ10	.0018	.0024
SLJ11	.0022	.0030
SLJ13	.0022	.0030
SLJ15	.0028	.0037
SLJ18	.0030	.0043
SLJ20	.0030	.0043
SLJ22	.0039	.0053
SLJ26	.0047	.0063
SLJ30	.0051	.0071
SLJ34	.0055	.0079

CL Series Radial Internal Clearance (Inch)		
Bearing part #	Min	Max
SLA10	.0018	.0024
SLA11	.0022	.0030
SLA13	.0022	.0030
SLA15	.0028	.0037
SLA18	.0030	.0043
SLA20	.0030	.0043

TA / DV Series Radial Internal Clearance Prior to Mounting (Inch)			Recommended Reduction of Radial Internal Clearance (Inch)		Axial movement of Tapered Adapter Sleeve (Inch)		Minimum Radial Internal Clearance After Installation (Inch)
Bearing Part #	Min	Max	Min	Max	Min	Max	
SLK11	.0030	.0037	.0012	.0015	.018	.022	.0015
SLK13	.0030	.0037	.0012	.0015	.018	.022	.0015
SLK15	.0037	.0047	.0015	.0020	.022	.030	.0017
SLK17	.0043	.0055	.0018	.0025	.027	.038	.0020
SLK20	.0043	.0055	.0018	.0025	.027	.038	.0020
SLK22	.0053	.0067	.0020	.0028	.030	.042	.0025
SLK26	.0063	.0079	.0025	.0035	.035	.050	.0030

- See page 60 for shaft tolerances
- See page 68 for mounting instructions





# EC Series - L10 Bearing Ratings

Bearing Size	SPEED (RPM)														
	Hours	50	100	200	500	1000	1200	1500	1800	2100	2400	2700	3000	3200	3500
<b>SLJ08</b>	5000	8965	7276	5925	4498	3655	3460	3238	3065	2926	2811	2711	2629	2578	2510
	10000	7290	5926	4810	3655	2968	2810	2628	2489	2377	2282	2204	2135	2094	2038
	20000	5922	4812	3908	2968	2411	2283	2135	2021	1930	1854	1790	1734	1701	1656
	50000	4501	3658	2969	2255	1832	1734	1622	1535	1466	1409	1361	1317	1292	1258
	100000	3655	2969	2411	1832	1488	1409	1317	1247	1191	1144	1104	1070	1049	1022
<b>SLJ09</b>	5000	9348	7602	6175	4690	3810	3607	3373	3194	3050	2930	2828	2740	2688	2551
	10000	7587	6175	5016	3810	3094	2930	2740	2594	2478	2379	2297	2226	2183	2145
	20000	6163	5016	4073	3094	2514	2379	2226	2108	2012	1933	1867	1808	1773	1717
	50000	4681	3810	3094	2351	1910	1808	1691	1600	1528	1469	1418	1373	1347	1310
	100000	3802	3094	2514	1910	1551	1469	1373	1300	1219	1193	1151	1116	1094	1058
<b>SLJ10</b>	5000	9977	8104	6583	5000	4062	3845	3596	3405	3251	3123	3015	2921	2865	2789
	10000	8104	6583	5347	4062	3299	3123	2921	2766	2641	2537	2449	2373	2327	2266
	20000	6583	5347	4343	3299	2680	2537	2373	2246	2145	2061	1989	1927	1890	1840
	50000	5000	4062	3299	2506	2036	1927	1802	1707	1629	1565	1511	1464	1436	1398
	100000	4062	3299	2680	2036	1653	1565	1464	1386	1324	1272	1227	1189	1166	1135
<b>SLJ11</b>	5000	11973	9725	7899	6001	4874	4615	4316	4086	3901	3748	3618	3505	3438	3347
	10000	9725	7899	6416	4874	3959	3748	3505	3319	3169	3044	2939	2847	2793	2719
	20000	7899	6416	5211	3959	3216	3044	2847	2696	2574	2473	2387	2313	2268	2208
	50000	6001	4874	3959	3007	2443	2313	2163	2048	1955	1879	1813	1757	1723	1677
	100000	4874	3959	3216	2443	1984	1879	1757	1663	1588	1526	1473	1427	1400	1363
<b>SLJ13</b>	5000	17660	14344	11651	8851	7189	6806	6366	6027	5755	5529	5337	5171	5071	
	10000	14344	11651	9464	7189	5839	5529	5171	4895	4674	4491	4335	4200	4119	
	20000	11851	9464	7687	5839	4743	4491	4200	3976	3797	3647	3521	3411	3346	
	50000	8851	7189	5839	4436	3603	3411	3190	3021	2884	2771	2675	2591	2542	
	100000	7189	5839	4743	3603	2927	2771	2591	2453	2343	2251	2172	2105	2065	
<b>SLJ15</b>	5000	19057	15479	12573	9551	7758	7345	6869	6504	6210	5966	5759			
	10000	15479	12573	10212	7758	6001	5966	5580	5283	5044	4846	4678			
	20000	12573	10212	8295	6301	5118	4866	4532	4291	4097	3936	3799			
	50000	9551	7758	6301	4787	3888	3681	3443	3260	3112	2990	2886			
	100000	7758	6301	5118	3888	3158	2990	2796	2648	2528	2429	2344			
<b>SLJ18</b>	5000	30431	24717	20077	15251	12388	11729	10969	10385	9916	9527	9196			
	10000	24717	20077	16307	12388	10062	9527	8910	8435	8054	7738	7469			
	20000	20077	16307	13246	10062	8173	7738	7237	6852	6542	6285	6067			
	50000	15251	12388	10062	7644	6209	5878	5498	5205	4970	4775	4609			
	100000	12388	10062	8173	6209	5043	4775	4465	4228	4037	3878	3744			
<b>SLJ20</b>	5000	37914	30795	25014	19002	15434	14613	13667	12939	12354					
	10000	30795	25014	20317	15434	12536	11869	11101	10510	10035					
	20000	25014	20317	16503	12536	10183	9641	9017	8537	8151					
	50000	19002	15434	12536	9523	7735	7324	6849	6485	6192					
	100000	15434	12536	10183	7735	6283	5949	5564	5267	5029					

\* See page 12 for recommended seal limiting speeds

## EC Series - L10 Bearing Ratings

Bearing Size	SPEED (RPM)								
	Hours	50	100	200	500	1000	1200	1500	1800
<b>SLJ22</b>	5000	47392	38494	31267	23752	19293	18266	17083	
	10000	38494	31267	25397	19293	15671	14837	13876	
	20000	31267	25397	20629	15671	12728	12051	11271	
	50000	23752	19293	15671	11904	9669	9155	8562	
	100000	19293	15671	12728	9669	7854	7436	6954	
<b>SLJ26</b>	5000	55074	44734	36336	27603	22420	21227	19852	
	10000	44734	36336	29514	22420	18211	17242	16125	
	20000	36336	29514	23973	18211	14972	14005	13098	
	50000	27603	22420	18211	13834	11237	10639	9950	
	100000	22420	18211	14972	11237	9127	8641	8052	
<b>SLJ30</b>	5000	168925	136900	111000	84000	68521	64620		
	10000	136580	110980	90241	68425	55701	52600		
	20000	111025	90290	73385	55680	45240	42800		
	50000	84400	68550	55710	42320	34370	32560		
	100000	68525	55710	45250	34375	27910	26450		
<b>SLJ34</b>	5000	121820	98940	80370	61050	49591			
	10000	98945	80370	65282	49591	40280			
	20000	80370	65282	49591	40280	30599			
	50000	61047	49591	40281	30599	24854			
	100000	49591	40280	32718	24854	20188			

\* See page 12 for recommended seal limiting speeds



# CL Series - L10 Bearing Ratings

Bearing Size	SPEED (RPM)														
	Hours	50	100	200	500	1000	1200	1500	1800	2100	2400	2700	3000	3200	3500
SLA10	5000	9977	8104	6583	5000	4062	3845	3596	3405	3251	3123	3015	2921	2865	2789
	10000	8104	6583	5347	4062	3299	3123	2921	2766	2641	2537	2449	2373	2327	2266
	20000	6583	5347	4343	3299	2680	2537	2373	2246	2145	2061	1989	1927	1890	1840
	50000	5000	4062	3299	2506	2036	1927	1802	1707	1629	1565	1511	1464	1436	1398
	100000	4062	3299	2680	2036	1653	1565	1464	1386	1324	1272	1227	1189	1166	1135
SLA11	5000	11973	9725	7899	6001	4874	4615	4316	4086	3901	3748	3618	3505	3438	3347
	10000	9725	7899	6416	4874	3959	3748	3505	3319	3169	3044	2939	2847	2793	2719
	20000	7899	6416	5211	3959	3216	3044	2847	2696	2574	2473	2387	2313	2268	2208
	50000	6001	4874	3959	3007	2443	2313	2163	2048	1955	1879	1813	1757	1723	1677
	100000	4874	3959	3216	2443	1984	1879	1757	1663	1588	1526	1473	1427	1400	1363
SLA13	5000	17660	14344	11651	8851	7189	6806	6366	6027	5755	5529	5337	5171	5071	
	10000	14344	11651	9464	7189	5839	5529	5171	4895	4674	4491	4335	4200	4119	
	20000	11851	9464	7687	5839	4743	4491	4200	3976	3797	3647	3521	3411	3346	
	50000	8851	7189	5839	4436	3603	3411	3190	3021	2884	2771	2675	2591	2542	
	100000	7189	5839	4743	3603	2927	2771	2591	2453	2343	2251	2172	2105	2065	
SLA15	5000	19057	15479	12573	9551	7758	7345	6869	6504	6210	5966	5759			
	10000	15479	12573	10212	7758	6301	5966	5580	5283	5044	4846	4678			
	20000	12573	10212	8295	6301	5118	4866	4532	4291	4097	3936	3799			
	50000	9551	7758	6301	4787	3888	3681	3443	3260	3112	2990	2886			
	100000	7758	6301	5118	3888	3158	2990	2796	2648	2528	2429	2344			
SLA18	5000	30431	24717	20077	15251	12388	11729	10969	10385	9916	9527	9196			
	10000	24717	20077	16307	12388	10062	9527	8910	8435	8054	7738	7469			
	20000	20077	16307	13246	10062	8173	7738	7237	6852	6542	6285	6067			
	50000	15251	12388	10062	7644	6209	5878	5498	5205	4970	4775	4609			
	100000	12388	10062	8173	6209	5043	4775	4465	4228	4037	3878	3744			
SLA20	5000	37914	30795	25014	19002	15434	14613	13667	12939	12354					
	10000	30795	25014	20317	15434	12536	11869	11101	10510	10035					
	20000	25014	20317	16503	12536	10183	9641	9017	8537	8151					
	50000	19002	15434	12536	9523	7735	7324	6849	6485	6192					
	100000	15434	12536	10183	7735	6283	5949	5564	5267	5029					

\* See page 12 for recommended seal limiting speeds

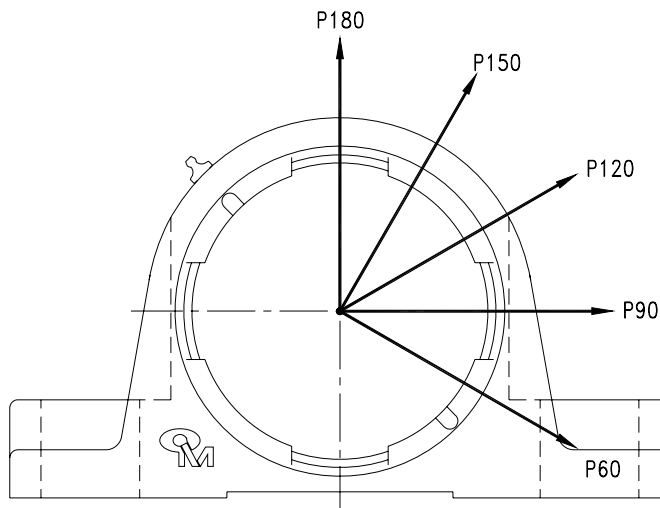
# TA / DV Series - L10 Bearing Ratings

Bearing Size	SPEED (RPM)														
	Hours	50	100	200	500	1000	1200	1500	1800	2100	2400	2700	3000	3200	3500
SLK11	5000	11973	9725	7899	6001	4874	4615	4316	4086	3901	3748	3618	3505	3438	<b>3347</b>
	10000	9725	7899	6416	4874	3959	3748	3505	3319	3169	3044	2939	2847	2793	<b>2719</b>
	20000	7899	6416	5211	3959	3216	3044	2847	2696	2574	2473	2387	2313	2268	<b>2208</b>
	50000	6001	4874	3959	3007	2443	2313	2163	2048	1955	1879	1813	1757	1723	<b>1677</b>
	100000	4874	3959	3216	2443	1984	1879	1757	1663	1588	1526	1473	1427	1400	<b>1363</b>
SLK13	5000	17660	14344	11651	8851	7189	6806	6366	6027	5755	5529	5337	<b>5171</b>	<b>5071</b>	
	10000	14344	11651	9464	7189	5839	5529	5171	4895	4674	4491	4335	<b>4200</b>	<b>4119</b>	
	20000	11851	9464	7687	5839	4743	4491	4200	3976	3797	3647	3521	<b>3411</b>	<b>3346</b>	
	50000	8851	7189	5839	4436	3603	3411	3190	3021	2884	2771	2675	<b>2591</b>	<b>2542</b>	
	100000	7189	5839	4743	3603	2927	2771	2591	2453	2343	2251	2172	<b>2105</b>	<b>2065</b>	
SLK15	5000	19057	15479	12573	9551	7758	7345	6869	6504	6210	<b>5966</b>	<b>5759</b>	<b>5580</b>		
	10000	15479	12573	10212	7758	8601	5966	5580	5283	5044	<b>4846</b>	<b>4678</b>	<b>4532</b>		
	20000	12573	10212	8295	6301	5118	4866	4532	4291	4097	<b>3936</b>	<b>3799</b>	<b>3681</b>		
	50000	9551	7758	6301	4787	3888	3681	3443	3260	3112	<b>2990</b>	<b>2886</b>	<b>2796</b>		
	100000	7758	6301	5118	3888	3158	2990	2796	2648	2528	<b>2429</b>	<b>2344</b>	<b>2271</b>		
SLK17	5000	25400	20650	16770	11530	10350	9800	9165	8675	<b>8285</b>	<b>7900</b>				
	10000	20650	16780	13620	9360	8400	7960	7445	7045	<b>6865</b>	<b>6465</b>				
	20000	16750	13620	11060	7600	6820	6465	6045	5770	<b>5460</b>	<b>5250</b>				
	50000	12470	10350	8400	5780	5190	4910	4595	4350	<b>4150</b>	<b>3990</b>				
	100000	10340	8400	6820	4706	4210	3990	3730	3530	<b>3370</b>	<b>3240</b>				
SLK20	5000	37914	30795	25014	19002	15434	14613	13667	<b>12939</b>						
	10000	30795	25014	20317	15434	12536	11869	11101	<b>10510</b>						
	20000	25014	20317	16503	12536	10183	9641	9017	<b>8537</b>						
	50000	19002	15434	12536	9523	7735	7324	6849	<b>6485</b>						
	100000	15434	12536	10183	7735	6283	5949	5564	<b>5267</b>						
SLK22	5000	47392	38494	31267	23752	19293	<b>18266</b>	<b>17083</b>							
	10000	38494	31267	25397	19293	15671	<b>14837</b>	<b>13876</b>							
	20000	31267	25397	20629	15671	12728	<b>12051</b>	<b>11271</b>							
	50000	23752	19293	15671	11904	9669	<b>9155</b>	<b>8562</b>							
	100000	19293	15671	12728	9669	7854	<b>7436</b>	<b>6954</b>							
SLK26	5000	55074	44734	36336	27603	22420	<b>21227</b>								
	10000	44734	36336	29514	22420	18211	<b>17242</b>								
	20000	36336	29514	23973	18211	14792	<b>14005</b>								
	50000	27603	22420	18211	13834	11237	<b>10639</b>								
	100000	22420	18211	14792	11237	9127	<b>8641</b>								

\* See page 12 for recommended seal limiting speeds

# Blue Brute - Engineering Section

## Blue Brute allowable housing loads EC / CL Series



### 2 - Bolt Pillow Block

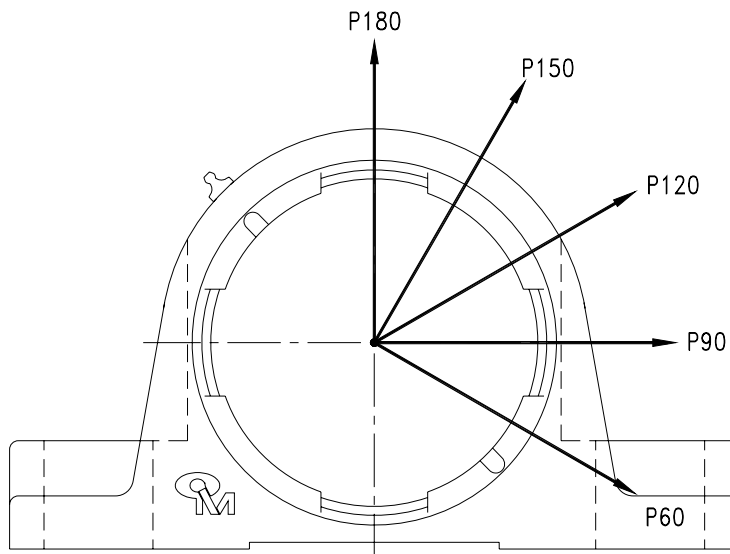
Bearing Size	P60	P90	P120	P150	P180
	Allowable Load - lbs				
SLJ08	22482	22482	22482	22482	22482
SLJ09	24280	24280	24280	24280	24280
SLJ10 / SLA10	27200	27200	27200	27200	27200
SLJ11 / SLA11	31920	31920	31920	31920	31920
SLJ13 / SLA13	48560	48560	48560	48560	48560
SLJ15 / SLA15	53960	53960	53960	53960	53960
SLJ18 / SLA18	87680	87680	87680	87680	87680
SLJ20 / SLA20	109000	109000	109000	109000	109000
SLJ22	143900	143900	143900	143900	143900
SLJ26	186300	186300	186300	186300	186300
SLJ30	531500	531500	531500	531500	531500

### 4 - Bolt Pillow Block

Bearing Size	P60	P90	P120	P150	P180
	Allowable Load - lbs				
SLJ13 / SLA13	67984	67984	67984	67984	67984
SLJ15 / SLA15	75544	75544	75544	75544	75544
SLJ18 / SLA18	122752	122752	122752	122752	122752
SLJ20 / SLA20	152600	152600	152600	152600	152600
SLJ22	201460	201460	201460	201460	201460
SLJ26	260820	260820	260820	260820	260820
SLJ30	744100	744100	744100	744100	744100
SLJ34	1032000	1032000	1032000	1032000	1032000

# Blue Brute - Engineering Section

## Blue Brute allowable housing loads TA / DV Series



### 2 - Bolt Pillow Block

Bearing Size	P60	P90	P120	P150	P180
	Allowable Load - lbs				
SLK11	31920	31920	31920	31920	31920
SLK13	48560	48560	48560	48560	48560
SLK15	53960	53960	53960	53960	53960
SLK17	87680	87680	87680	87680	87680
SLK20	109000	109000	109000	109000	109000
SLK22	143900	143900	143900	143900	143900
SLK26	186300	186300	186300	186300	186300

### 4 - Bolt Pillow Block

Bearing Size	P60	P90	P120	P150	P180
	Allowable Load - lbs				
SLK13	67984	67984	67984	67984	67984
SLK15	75544	75544	75544	75544	75544
SLK17	122752	122752	122752	122752	122752
SLK20	152600	152600	152600	152600	152600
SLK22	201460	201460	201460	201460	201460
SLK26	260820	260820	260820	260820	260820

# Blue Brute - Engineering Section

## Shafting

The shaft should be free from burrs, straight, clean and within recommended shaft tolerances listed below. For high speed or extreme vibration conditions, the shaft should be machined to half the recommended tolerance listed below.

### QM recommended shaft tolerances for EC and CL Series Bearings:

1-7/16" - 1-1/2"	+0.000 / -0.001	1-11/16" - 45mm	+0.000 / -0.0015
1-15/16" - 50mm	+0.000 / -0.0015	2-3/16" - 2-1/4"	+0.000 / -0.0015
2-7/16" - 65mm	+0.000 / -0.0015	2-11/16" - 75mm	+0.000 / -0.002
3-3/16" - 90mm	+0.000 / -0.003	3-15/16" - 100mm	+0.000 / -0.003
4-7/16" - 115mm	+0.000 / -0.005	4-15/16" - 130mm	+0.000 / -0.005
5-7/16" - 5-1/2"	+0.000 / -0.005	5-15/16" - 6"	+0.000 / -0.005
6-7/16" - 7"	+0.000 / -0.005		

### QM recommended shaft tolerances for TA / DV Tapered Adapter Bearings:

1-15/16" - 50mm	+0.00 / -0.003	2-3/16" - 60mm	+0.00 / -0.003
2-7/16" - 65mm	+0.00 / -0.0035	2-15/16" - 75mm	+0.00 / -0.004
3-7/16" - 90mm	+0.00 / -0.004	3-15/16" - 100mm	+0.00 / -0.004
4-7/16" - 115mm	+0.00 / -0.004		

## Shaft expansion

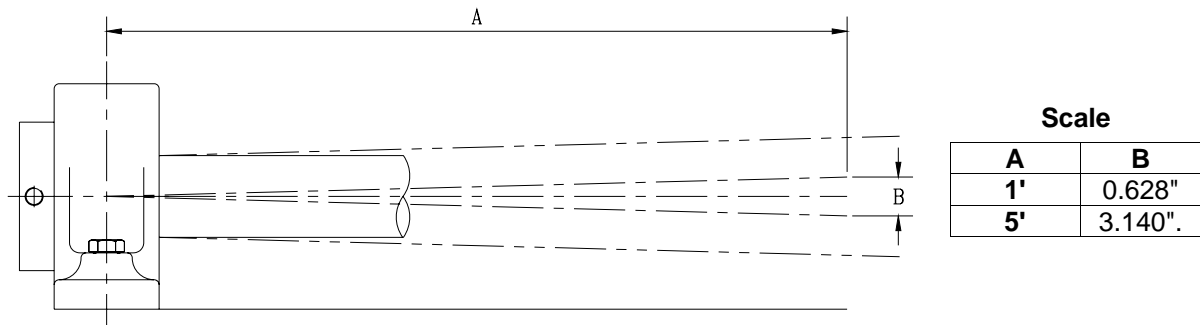
Expansion bearings are used to accommodate thermal expansion of steel. Steel expands or contracts .000076" per foot for every 1° F difference in temperature.

Where the shafting and the framework that holds the shafting is made from steel, the expansion of the shaft and the frame will be practically the same. In these conditions fixed bearings can be used on both sides of the shaft.

If there is a difference in material holding the shaft or if the application involves a differing temperature from the shaft to the frame, then only one fixed bearing should be used on a shaft. All other bearings mounted on the shaft should float to accommodate thermal shaft expansion. More information on expansion units on pages 65 & 66.

## Misalignment:

All Blue Brute double row spherical rollers bearings from size 08 to 20 (1-7/16" to 4") have steel window cages. Bearings size 22 (4-7/16" to 7") and over have machined brass cages and are aligned by the retainers and inner and outer races, thus equally distributes load while under misalignment. This prevents high edge load stresses on the rolling elements. The maximum allowable misalignment would be  $\pm 2^\circ$  from center. The design of our double row spherical bearing is not derated while under misaligned conditions. The design will accept both radial and thrust loads under static, oscillatory or dynamic load conditions.



# Blue Brute - Parts



Replacement parts for Blue Brute bearings			
Shaft Size	EC Series	CL Series	TA / DV Series
1-7/16"	SLJ08Kit	-	-
1-1/2"	SLJ08X108Kit	-	-
1-11/16"	SLJ09Kit	-	-
1-3/4"	SLJ09X112Kit	-	-
45mm	SLJ09X045Kit	-	-
1-15/16"	SLJ10Kit	SLA10Kit	SLK11Kit
2"	SLJ10X200Kit	SLA10X200Kit	SLK11X200Kit
50mm	SLJ10X050Kit	SLA10X050Kit	SLK11X050Kit
2-3/16"	SLJ11Kit	SLA11Kit	SLK13Kit
2-1/4"	SLJ11X204Kit	SLA11X204Kit	SLK13X204Kit
60mm	-	-	SLK13X060Kit
2-7/16"	SLJ13Kit	SLA13Kit	SLK15Kit
2-1/2"	SLJ13X208Kit	SLA13X208Kit	SLK15X208Kit
65mm	SLJ13X065Kit	SLA13X065Kit	SLK15X065Kit
2-11/16"	SLJ15X211Kit	-	-
2-3/4"	SLJ15X212Kit	-	-
70mm	SLJ15X070Kit	-	-
2-15/16"	SLJ15Kit	SLA15Kit	SLK17Kit
3"	SLJ15X300Kit	SLA15X300Kit	SLK17X300Kit
75mm	SLJ15X075Kit	SLA15X075Kit	SLK17X075Kit
3-3/16"	SLJ18X303Kit	-	-
3-1/4"	SLJ18X304Kit	-	-
80mm	SLJ18X080Kit	-	-
3-7/16"	SLJ18Kit	SLA18Kit	SLK20Kit
3-1/2"	SLJ18X308Kit	SLA18X308Kit	SLK20X308Kit
90mm	SLJ18X090Kit	SLA18X090Kit	SLK20X090Kit
3-15/16"	SLJ20Kit	SLA20Kit	SLK22Kit
4"	SLJ20X400Kit	SLA20X400Kit	SLK22X400Kit
100mm	SLJ20X100Kit	SLA20X100Kit	SLK22X100Kit
4-7/16"	SLJ22Kit	-	SLK26Kit
4-1/2"	SLJ22X408Kit	-	SLK26X408Kit
115mm	SLJ22X115Kit	-	SLK26X115Kit
4-15/16"	SLJ26Kit	-	-
5"	SLJ26X500Kit	-	-
130mm	SLJ26X130Kit	-	-
5-7/16"	SLJ30Kit	-	-
5-1/2"	SLJ30X508Kit	-	-
5-15/16"	SLJ30X515Kit	-	-
6"	SLJ30X600Kit	-	-
6-7/16"	SLJ34Kit	-	-
6-1/2"	SLJ34X608Kit	-	-
6-15/16"	SLJ34X615Kit	-	-
7"	SLJ34X700Kit	-	-

**M seals are supplied as a standard in all kits**

Features & Benefits Page 2	For optional seal arrangements Page 3	Engineering Page 53	Nomenclature Page 65	Bearing Interchange Guide page 69	<b>Page 61</b>
-------------------------------	--	------------------------	-------------------------	--------------------------------------	----------------



# Blue Brute - Parts



Replacement external nuts EC series bearings		Replacement external nuts for CL series bearings		Replacement external nuts TA / DV series bearings	
Standard Insert	Part #	Standard Insert	Part #	Standard Insert	Part #
SLJ08	NU08	SLA10	NU10	SLK11	NU11
SLJ09	NU09	SLA11	NU11	SLK13	NU13
SLJ10	NU10	SLA13	NU13A	SLK15	NU15
SLJ11	NU11	SLA15	NU15A	SLK17	NU17
SLJ13	NU13	SLA18	NU18	SLK20	NU20
SLJ15	NU15	SLA20	NU20	SLK22	NU22
SLJ18	NU18			SLK26	NU26
SLJ20	NU20				
SLJ22	NU22				
SLJ26	NU26				
SLJ30	NU30				
SLJ34	NU34				

Amount of Float per One Rotation of External Bearing Nut			
EC Series	CL Series	TA Series	Recommended Amount of Float
SLJ08	-	-	0.050"
SLJ09	-	-	0.050"
SLJ10	SLA10	-	0.050"
SLJ11	SLA11	SLK11	0.050"
SLJ13	SLA13	SLK13	0.083"
SLJ15	SLA15	SLK15	0.083"
SLJ18	SLA18	SLK17	0.083"
SLJ20	SLA20	SLK20	0.083"
SLJ22	-	SLK22	0.083"
SLJ26	-	SLK26	0.083"
SLJ30	-	-	0.083"
SLJ34	-	-	0.083"

See pages 66 & 67 for instructions on assembly and converting a fixed bearing to floating.

Bearings requiring more than the recommended axial float, please consult factory.

# Blue Brute EC / CL Series - Lubrication Schedule

Lubrication of Blue Brute® Bearings														
Bearing Size	Grease Amount		RPM											
	Initial Weight Oz	Re-Lubrication Weight Oz	100		250		500		1000		2000		3000	
			160 F	Above 160F	160 F	Above 160F	160 F	Above 160F	160 F	Above 160F	160 F	Above 160F	160 F	Above 160F
SLJ08	0.5	0.1	55	25	35	17.5	25	12.5	6	3	3	1.5	1	.5
SLJ09	0.7	0.2	50	25	30	15	20	10	8	4	4	2	2	1
SLJ10 / SLA10	0.8	0.2	40	20	25	12.5	16	8	6	3	3	1.5	1.5	0.75
SLJ11 / SLA11	1	0.3	30	15	20	10	11	5.5	4	2	2.5	1.25	1.5	0.75
SLJ13 / SLA13	1.4	0.4	28	14	18	9	9	4.5	3	1.5	2	1	1	0.5
SLJ15 / SLA15	2.7	0.7	26	13	17	8.5	8.5	4.25	2.5	1.25	1.5	0.75		
SLJ18 / SLA18	3.7	0.9	24	12	15	7.5	7.5	3.75	2	1	1	0.5		
SLJ20 / SLA20	6.5	1.6	21	10.5	13	6.5	6	3	1.5	0.75	0.50	0.40		
SLJ22	7.4	1.9	17	8.5	11	5.5	5	2.5	1.5	0.75	0.50	0.40		
SLJ26	10.6	2.7	14	7	9	4.5	4	2						
SLJ30	20.8	5.2	12	6	8	4	3	1.7						
SLJ34	30	8.5	10	4	6	4	2.75	1.5						
			<b>Frequency of lubrication in weeks based on a 40 hour week</b>											

The temperature range indicated on the above chart (listed below speeds in RPM):

\* Temperature range — **up to 160°F / above 160°F**

Blue Brute® Bearings are supplied lubricated with Lithium complex N.L.G.I. 2 EP (extreme pressure) grease. This grease is compatible with most other greases and suitable for most applications and will work well within temperatures between -25° F and 300° F. Contact your lubrication supplier if you are not sure your grease is compatible. Above is a guide chart for average applications. In conditions with extreme contamination or moisture, the bearings should be lubricated more often.

Blue Brute® Bearings will work well with oil lubrication and should be ordered with an oil sump drain hole and either B or T seals. (To order a sump drain hole, please specify at time of order you are going to lubricate with oil).

# Blue Brute TA / DV Series - Lubrication Schedule

Lubrication of Blue Brute® TA / DV Series Bearings														
Bearing Size	Grease Amount		RPM											
	Initial Lubrication	Re-lubrication	100		250		500		1000		2000		3000	
	Weight Oz	Weight Oz	160 F	Above 160F	160 F	Above 160F	160 F	Above 160F	160 F	Above 160F	160 F	Above 160F	160 F	Above 160F
SLK11	1	0.3	30	15	20	10	11	5.5	4	2	2.5	1.25	1.5	0.75
SLK13	1.4	0.4	28	14	18	9	9	4.5	3	1.5	2	1	1	0.5
SLK15	2.7	0.7	26	13	17	8.5	8.5	4.25	2.5	1.25	1.5	0.75		
SLK17	3.4	0.9	25	12.5	16	8	8	4	2.5	1.25	1.5	0.75		
SLK20	6.5	1.6	21	10.5	13	6.5	6	3	1.5	0.75				
SLK22	7.4	1.9	17	8.5	11	5.5	5	2.5	1.5	0.75				
SLK26	12	3.0	15	7.5	9	4.5	4	2	1	0.5				
			<b>Frequency of lubrication in weeks based on a 40 hour week</b>											

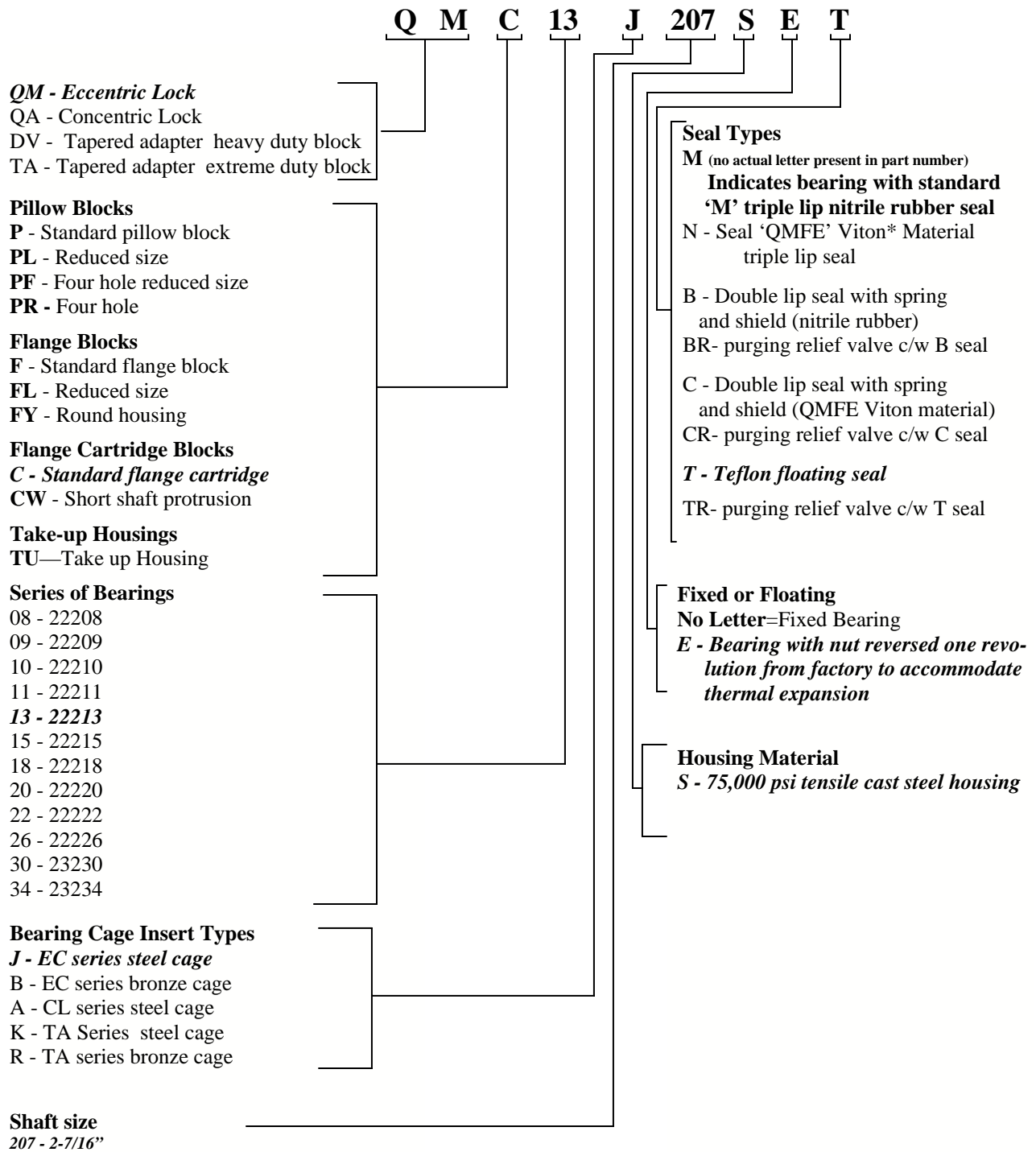
The temperature range indicated on the above chart (listed below speeds in RPM):

\* Temperature range— **up to 160°F / above 160°F**

Blue Brute® Bearings are supplied lubricated with Lithium complex N.L.G.I. 2 EP (extreme pressure) grease. This grease is compatible with most other greases and suitable for most applications and will work well within temperatures between -25° F and 300° F. Contact your lubrication supplier if you are not sure your grease is compatible. Above is a guide chart for average applications. In conditions with extreme contamination or moisture, the bearings should be lubricated more often.

Blue Brute® Bearings will work well with oil lubrication and should be ordered with an oil sump drain hole and either B or T seals. (To order a sump drain hole, please specify at time of order you are going to lubricate with oil).

# Blue Brute - Bearing Ordering & Part Number Guide



\* Viton is a registered trademark of Dupont

# Blue Brute - EC Series Installation Guide

## Bearing Installation

The shaft should be free from burrs, straight, clean and within recommended shaft tolerances. For high speed or extreme vibration conditions, the shaft should be machined to half the recommended tolerance. (see page 60 in QM CAT300 for tolerances and recommendations).

Taking note of the position of the grease fitting, slide the bearing on the shaft to the desired position. If added force is required to slide the bearing on the shaft, use a soft (brass) drift pin and LIGHTLY tap on the inner ring of the bearing until it is in position. All pillow block ends are machined square to the center bore of the housing, thus allowing keepers to be welded to secure the block into position (**this allows a one time alignment of the bearing to the shaft**).

When mounting bearings into position, one bearing should serve as an anchor to locate the shaft endwise. All other bearings located on the same shaft should permit the shaft to float freely endwise. The anchor bearing is often located near a part required to have limited movement. All bearings on the shaft other than the anchor bearing should be assembled in a floating position to accept thermal expansion. Take care to ensure that the bearing is set up to accommodate expansion in the proper direction (toward the nut).

### **To convert Blue Brute® EC series bearings from fixed to expansion (floating) position:**

Reference the original location of the outer (fixing) nut 'A' to the housing by marking a line across the two parts. (see diagram below)

- Loosen the locking Teflon Tip set screw that is securing the outer nut in position.
- Loosen the outer nut by tapping with a hammer and punch and rotating in a **counter clockwise direction**. One complete revolution of the outer nut will achieve the recommended clearance. See Page 62 of QM Catalog 300 for recommended expansion requirements. Once the bearing has the proper clearance for expansion, tighten the Teflon Tip set screw to secure the outer nut firmly in place.

### **To convert Blue Brute® EC series bearings from expansion (floating) to fixed:**

- Loosen the locking Teflon Tip setscrew to release the outer nut.
- Rotate the outer nut by tapping it with a hammer and punch clockwise until the outer nut firmly tightens against the seal wall.
- Tighten the Teflon Tip setscrew to firmly secure the outer nut into position.

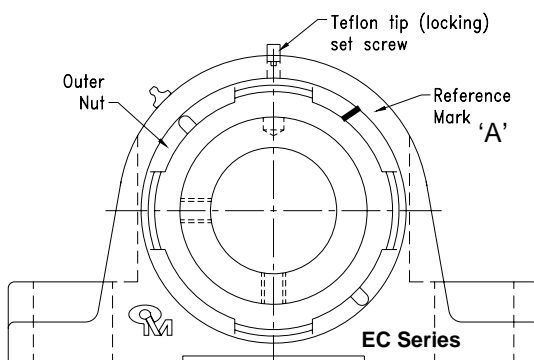
## **Locking - Eccentric Locking collars**

After the bearing is in position and the mounting bolts are tightened, move the eccentric collar into position on the extended inner ring. Rotate the collar in the prevalent direction of shaft rotation until it is hand tight. Using a spanner wrench or a drift pin and hammer (angle the drift pin in order to rotate collar) to lock the eccentric collar firmly in place.

The (2) set screws can now be tightened

- 1-7/16" – 2-1/4" maximum 225 inch lbs. of torque
- 2-7/16" – 3-1/2" maximum 540 inch lbs. of torque
- 3-15/16" – 7" maximum 1150 inch lbs. of torque

**EC Series locking collars will not release on reversing or high shock load applications. We Guarantee it!**



# Blue Brute CL Series Installation Guide

## Bearing Installation

The shaft should be free from burrs, straight, clean and within recommended shaft tolerances. For high speed or extreme vibration conditions, the shaft should be machined to half the recommended tolerance (see page 60 in QM CAT300 for tolerances and recommendations).

Taking note of the position of the grease fitting, slide the bearing on the shaft to the desired position. If added force is required to slide the bearing on the shaft, use a soft (brass) drift pin and LIGHTLY tap on the inner ring of the bearing until it is in position. All pillow block ends are machined square to the center bore of the housing, thus allowing keepers to be welded to secure the block into position (**this allows a one time alignment of the bearing to the shaft**).

When mounting bearings into position, one bearing should serve as an anchor to locate the shaft endwise. All other bearings located on same shaft should permit the shaft to float freely endwise. The anchor bearing is often located near a part required to have limited movement. All bearings on the shaft other than the anchor bearing should be assembled in a floating position to accept thermal expansion. Take care to ensure that the bearing is set up to accommodate expansion in the proper direction (toward the nut).

### **To convert Blue Brute® CL series bearings from fixed to expansion (floating) position:**

Reference the original location of the outer (fixing) nut 'A' to the housing by marking a line across the two parts. (see diagram below)

- Loosen the locking Teflon Tip set screw that is securing the outer nut in position.
- Loosen the outer nut by tapping with a hammer and punch and rotating in a **counter clockwise direction**.

One complete revolution of the outer nut will achieve the recommended clearance. See Page 62 of QM Catalog 300 for recommended expansion requirements. Once the bearing has the proper clearance for expansion, tighten the Teflon Tip set screw to secure the outer nut firmly in place.

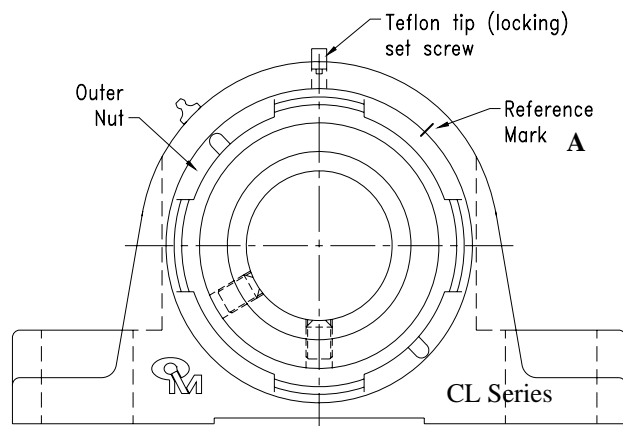
### **To convert Blue Brute® CL series bearings from expansion (floating) to fixed:**

- Loosen the locking Teflon Tip setscrew to release the outer nut.
- Rotate the outer nut by tapping it with a hammer and punch clockwise until the outer nut firmly tightens against the seal wall.
- Tighten the Teflon Tip setscrew to firmly secure the outer nut into position.

### **Locking – Concentric Locking collars**

After the bearing is in position and the mounting bolts are tightened use an Allen wrench to tighten the set screws to the proper torque values provided in the table below. As the set screws are the only means of holding the shaft in position, you may have to pre drill a location hole to prevent the shaft from moving axially.

Set screw torque		
Bearing Size	Torque in inch lbs.	
	Medium loads inch lbs of torque	Heavy Loads Inch lbs of torque
SLA10	290 - 340	340 - 380
SLA11	290 - 340	340 - 380
SLA13	620 - 780	780 - 930
SLA15	620 - 780	780 - 930
SLA18	1300 - 1525	1525 - 1700
SLA20	1300 - 1525	1525 - 1700



# Blue Brute TA / DV Series Installation Guide

## Installation of Tapered Adapter Bearing

Installation of the TMF-Ultra is simple, as the block is self contained. If you use any one of the following procedures, the bearing will be easy to install.

### Standard clearance settings

Clean all components of any debris and apply a thin oil film to all mating surfaces to ensure perfect seating. Slide the adapter into correct position on shaft, then place the bearing unit into place on the adapter sleeve. The lock-nut should then be tightened by hand until no relative motion occurs between shaft, sleeve and bearing inner race; tapping on the non-threaded end of sleeve will assist in this action. The lock-nut can now be tightened by counting how many tangs on the tab washer are passed relative to one slot on nut.

Bearing size	No. of tangs to locking	Bearing size	No. of tangs to locking
1-15/16 - SLK11	4/5	2-15/16 - SLK17	8/9
2-3/16 - SLK13	4/5	3-7/16 - SLK20	8/9
2-7/16 - SLK15	5/6	3-15/16 - SLK22	10/11
		4-7/16 - SLK26	10/11

This installation method is adequate for all slow moving applications.

### - Mounting bearing unit for critical clearance application

The installation of the taper sleeve will always reduce the clearance of the bearing. The amount of the reduction in clearance is determined by how far the adapter is tightened into the bearing. The table below (table 1) gives the initial radial clearance on our SLK bearings which have C3 clearance from the factory.

The reduction in clearance is the amount by which the clearance can be reduced. The minimum clearance is the lowest permissible amount of clearance for the bearing under operating conditions.

— Recommended method of installation of a Tapered Adapter Sleeve Mounted bearing is to measure the travel of the Tapered Adapter Sleeve through the bore of the Bearing. Before starting the measurement move the bearing on the shaft until line-to-line contact exists between the shaft, adapter, and bearing bore. See Table 1 for proper axial movement of adapter.

— Another method to measure internal clearance, you must remove both the nut (or snap ring) and the outer seal from the bearing housing. The seal on the large end of the taper must be removed from the housing to access the internal components for measurement. The bearing inner race should be rotated a few times in order to seat the rollers in their normal position. The clearance is always the distance between the outer race and the unloaded roller. During the measurement the roller should be lightly pressed towards the center, then checked by feeler gauges to the proper measurement listed below in TABLE 1 on the unloaded roller. When the proper clearance has been set, install seal back into original position and replace snap ring. ADD Lubrication before putting bearing into service.

**TABLE 1 Radial internal clearance of spherical bearings with tapered bore**

TA Series Radial Internal Clearance Prior to Mounting (Inch)			Recommended Reduction of Radial Internal Clearance (Inch)		Axial movement of Tapered Adapter Sleeve (Inch)		Minimum Radial Internal Clearance After Installation (Inch)
Bearing Part #	Min	Max	Min	Max	Min	Max	
SLK11	.0030	.0037	.0012	.0015	.018	.022	.0015
SLK13	.0030	.0037	.0012	.0015	.018	.022	.0015
SLK15	.0037	.0047	.0015	.0020	.022	.030	.0017
SLK17	.0043	.0055	.0018	.0025	.027	.038	.0020
SLK20	.0043	.0055	.0018	.0025	.027	.038	.0020
SLK22	.0053	.0067	.0020	.0028	.030	.042	.0025
SLK26	.0063	.0079	.0025	.0035	.035	.050	.0030